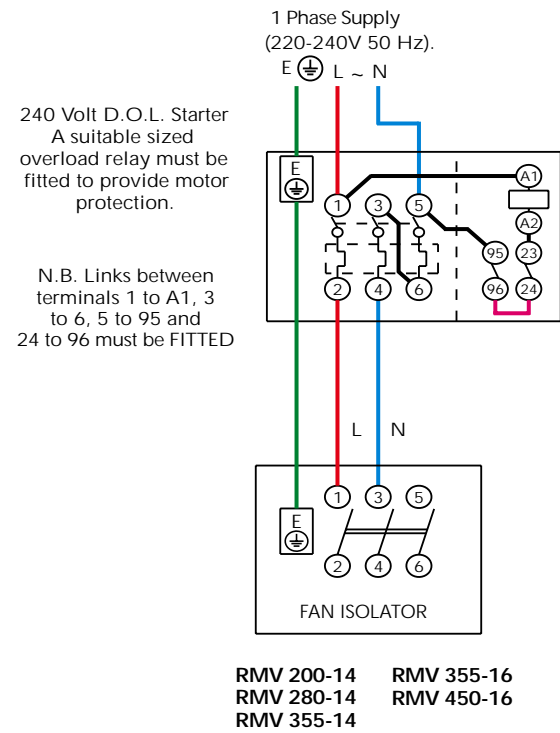
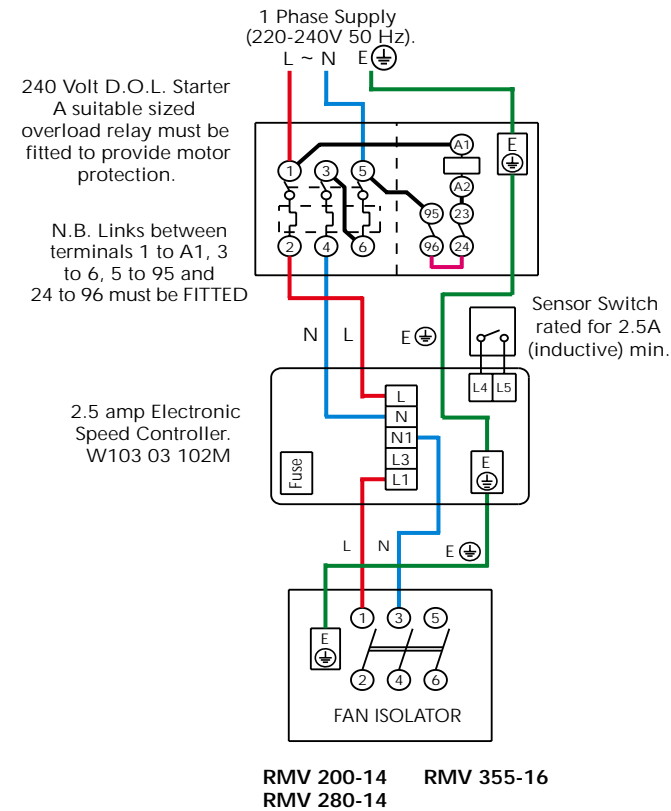


VENT-AXIA VERTICAL DISCHARGE MIXED FLOW ROOF FANS WIRING DIAGRAMS

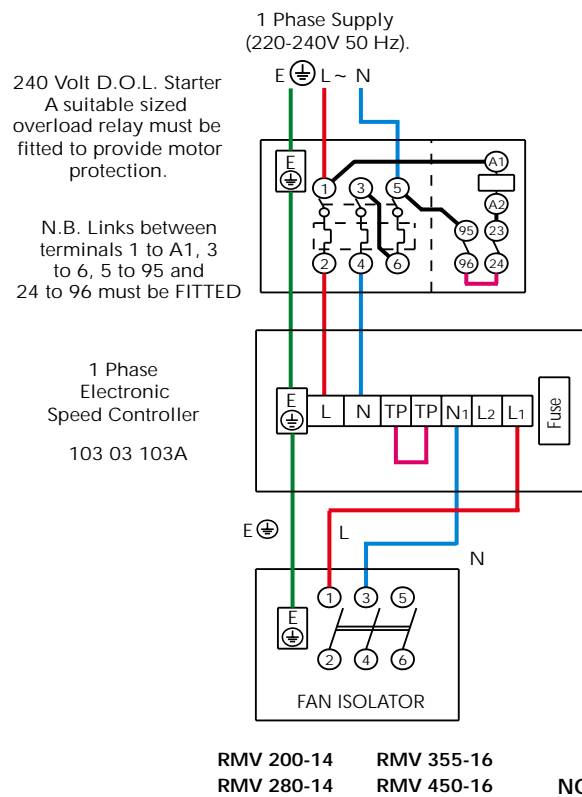
SINGLE PHASE FAN CONNECTED TO A D.O.L. STARTER



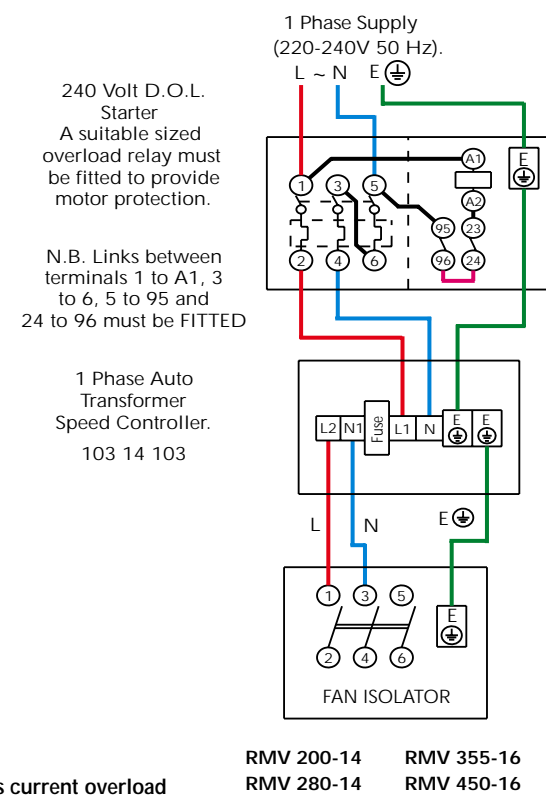
SINGLE PHASE FAN CONNECTED TO A D.O.L AND 2.5 AMP ELECTRONIC SPEED CONTROLLER



SINGLE PHASE FAN CONNECTED TO A D.O.L STARTER AND A 3.0 AMP ELECTRONIC SPEED CONTROLLER



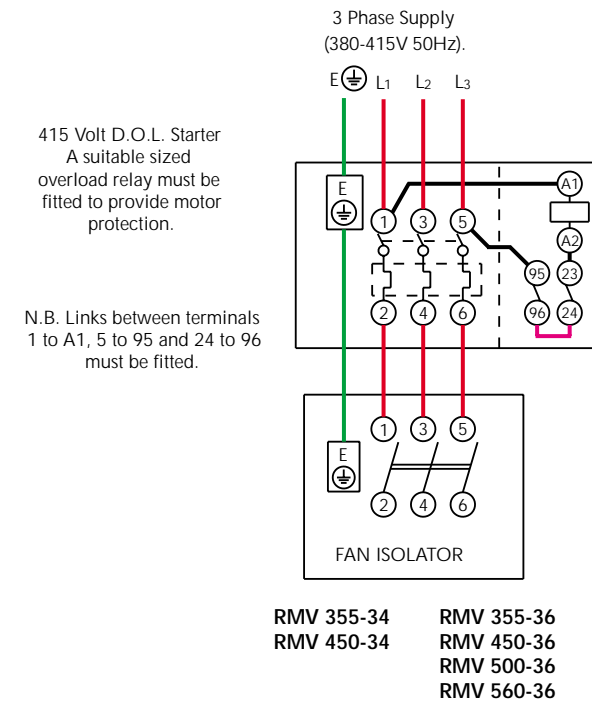
SINGLE PHASE FAN CONNECTED TO A D.O.L STARTER AND A 3.0 AMP AUTO TRANSFORMER SPEED CONTROLLER



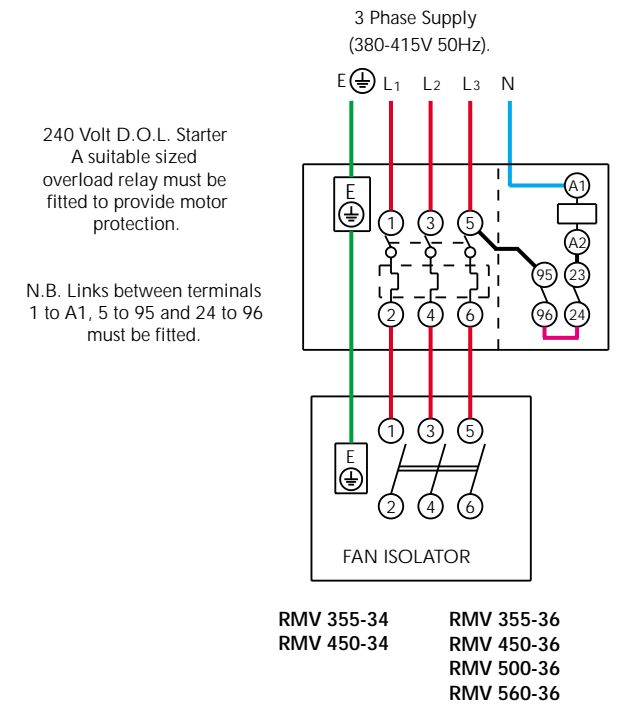
NOTE: In all cases current overload protection must be included.

VENT-AXIA VERTICAL DISCHARGE MIXED FLOW ROOF FANS WIRING DIAGRAMS

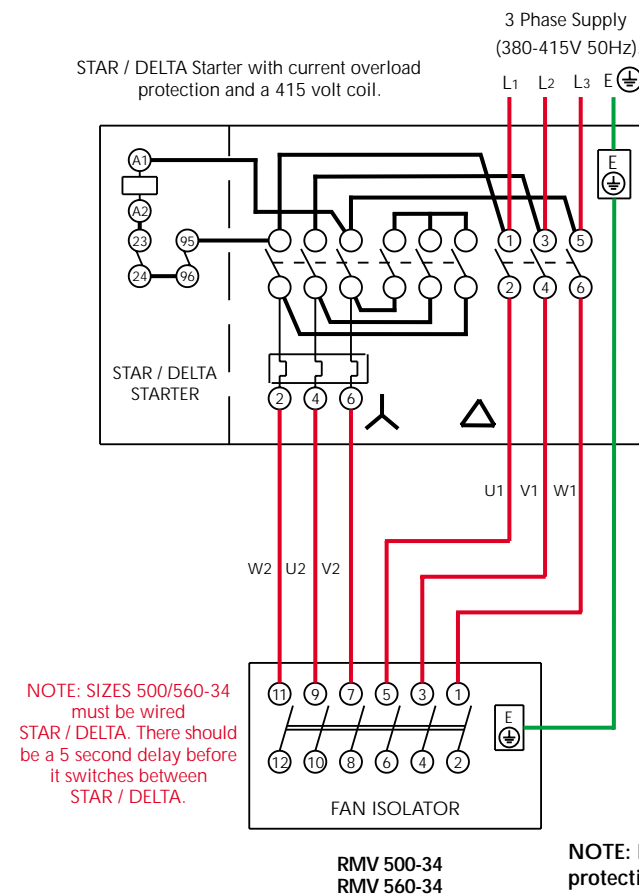
THREE PHASE FAN CONNECTED TO A 415V COIL D.O.L. STARTER



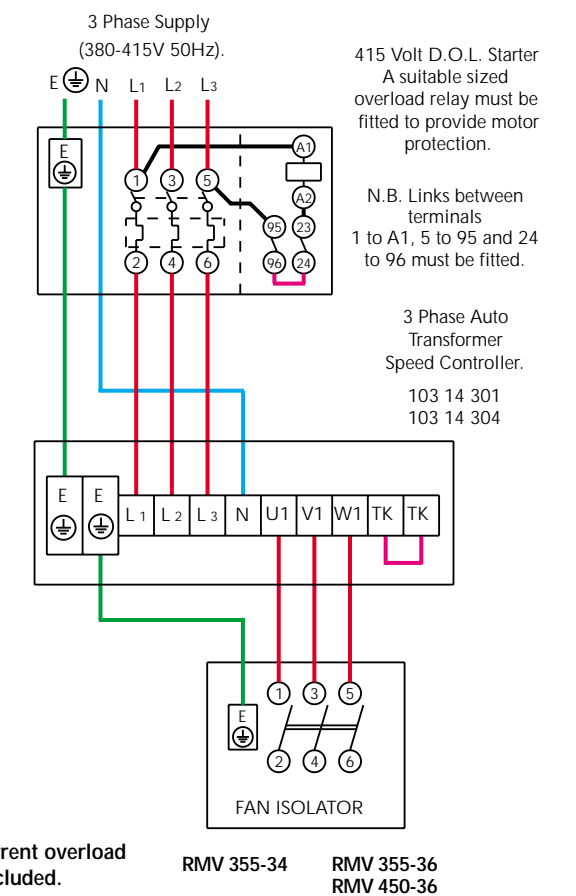
THREE PHASE FAN CONNECTED TO A 240V COIL D.O.L. STARTER



THREE PHASE FAN CONNECTED TO A STAR / DELTA STARTER



THREE PHASE FAN CONNECTED TO A 1.4 or 4.0 AMP AUTO TRANSFORMER SPEED CONTROLLER



NOTE: In all cases current overload protection must be included.