

HRE350 & HRE350B Heat Recovery Systems

The Great Indoors



Features and Benefits

- SAP Appendix Q Approved.
- Up to 95% heat recovery whilst controlling condensation.
- Optional summer by-pass.
- Easy installation using 150mm diameter duct spigots.
- Minimal running costs due to LoWatt Energy Saving DC fans.
- Integrated digital controller for setting various speeds
- Washable EU4 filters.



Model	Stock Ref:
HRE350	43 15 91
HRE350B	43 43 96

A wholehouse heat recovery system with 95% energy efficiency. An easily accessible heat recovery cube protected by two removable EU4 filters. Two constant velocity LoWatt Energy Saving DC fans ensure long life (typically over double the life of AC motors) and lowest possible energy use. Fully insulated construction with built in condensation drain. Fitted with 150mm spigots. Specifically designed for new build homes with a high level of insulation.

The HRE350 models are factory set to 3 speeds - 100, 150 and 225m³/h. On the front of the unit is a digital controller that can be used to re-set the speeds to any required performance, up to 300m³/h. Offering 'Close Control' to prevent over ventilating

In addition the operating temperature settings can be pre-programmed for automatic operation of the summer bypass. **This applies to the HRE350B model only.**

Typical Specification

Supply and install a HRE350/HRE350B system Wholehouse heat recovery unit as manufactured by Vent-Axia Clean Air Systems, Fleming Way, Crawley, West Sussex, RH10 9YX, Telephone: 01293 441520.

Performance:	m ³ /h	l/s
Maximum ventilation rate	300	83.0
N° speed settings	3	

Efficiency: The unit should retain up to 95% of the temperature differential of out going air.

Heat exchanger: should be of a multi plate counter-flow type constructed out of PETG with ultra sonic welded joints.

Motor: should be a LoWatt Energy Saving DC with ball bearings, greased for life. It shall operate up to an ambient temperature of 40°C and be fitted with an electronic thermal overload protective device.

Fan: The fan impeller should be of a forward curved centrifugal type, dynamically balanced.

Controls: The unit should contain an integral driver circuit that provides the unit with a constant airflow volume feature. With provision to connect a remote manual 3 speed controller.

Ducting spigots: The unit should provide 150mm ø x 45mm long spigots for all duct connections. The inlet and outlet configuration is fixed. (Can be converted to flat ducting).

Filter: should be synthetic material tested to minimum of EU3.

Condensation: The outlet provided should be located centrally at the bottom of the unit.

Construction: The unit outer case should be constructed of white powder coated sheet metal. The heat exchanger access door should be blue powder coated sheet metal and it should be possible to hand the door opening.

Mounting: Vertical only.

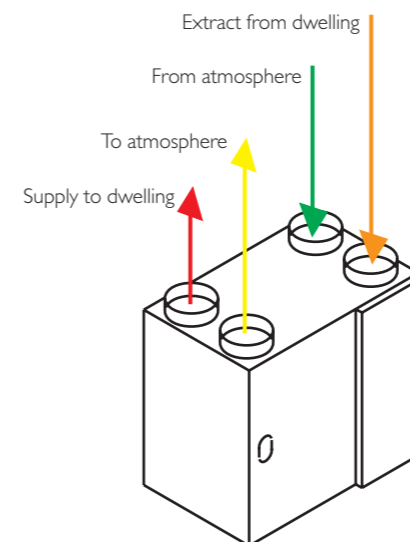
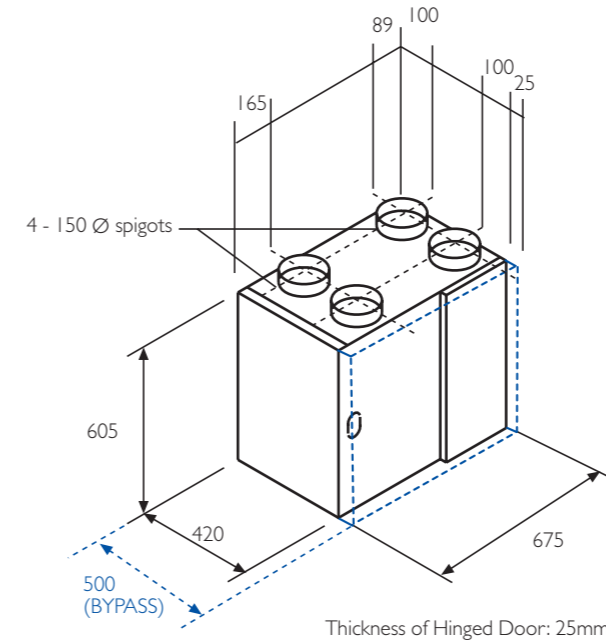
Sound Levels:	dB(A) @ 1m
Speed 1	33.9
Speed 2	41.4
Speed 3	48.8

Mains electrical supply: 230VAC 50Hz.

Complies to the following approvals /directives: CE, LVD and EMC.

Dimensions (mm)

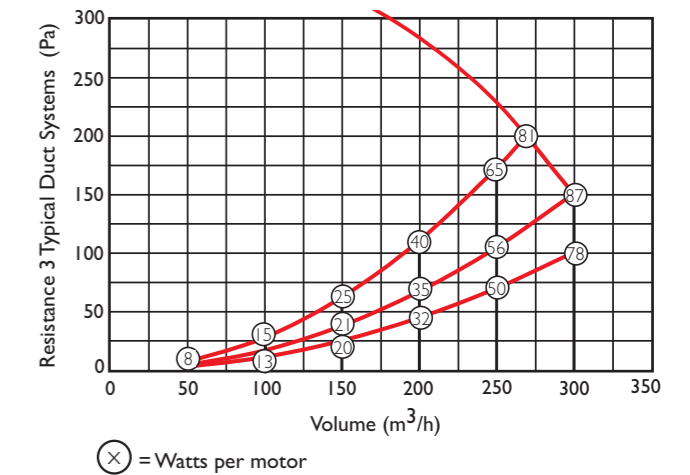
Weight: 31kg



Installation

The HRE350 models must be mounted vertically in a roof space or suitable enclosed cupboard. When mounted in a unheated area ducting should be insulated.

Performance



HRE350 Ventilation Capacity Setting

Factory Setting	1	2	3
Volume m ³ /h (FID)	100	150	225

Maintenance



User maintenance is limited to periodically cleaning or replacing the filters. The filter only has to be cleaned when indicated on the unit display (it shows the text 'FIL') or if a multiple switch with filter indication is mounted, when the red LED at the switch lights up.

Controller

Controller	
	The HRE350 models come complete with a 3 position switch offering 3 speeds - day, night and boost. Incorporated on the controller is a neon indicator that comes on when either the filter is blocked or every 3 months as an indicator to check the filters.
	Controller is provided with a 20 metre long cable.

For accessories details, please refer to pages 103-105.