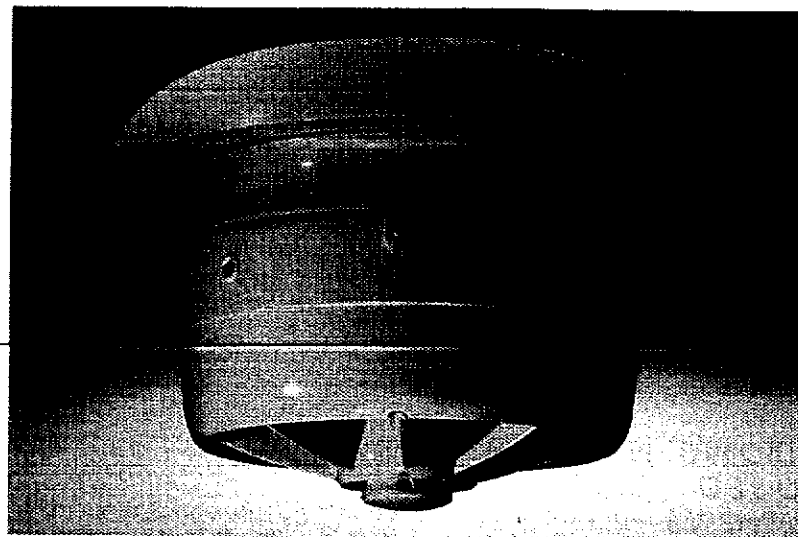
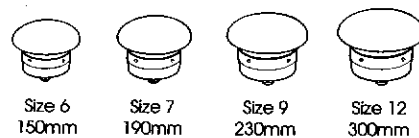


STANDARD RANGE ROOF MODELS



- ✓ Extract model in 4 sizes:
Sizes 6, 7, 9 and 12.
- ✓ Colour: Ivory.
- ✓ Controller available.
- ✓ Manufactured in weather-resistant polymeric materials.



A versatile range of extract ventilating units designed to satisfy the most demanding requirements of efficient ventilation.

Featuring a low profile cowl, the unit is ready for fitting into horizontal, angled and vertical glass, fixing plates on roofs and in vertical windows or walls in exposed areas. With Vent-Axia roof plate assemblies, all four sizes can be fitted easily into flat roofs. Alternatively, this range can be used in conjunction with Vent-Axia ventilation accessories to suit individual applications. Suitable for roof installation plus window and wall installation in exposed areas (eg: coastal positions).

Vent-Axia's spigot and ring method of fixing ensures easy installation and watertight joint. We recommend the use of sealing compound under the upper part of the unit when fitted in roofs.

Integrated component design for maximum aerodynamic efficiency. Low density 5 blade impeller and short sleeve section ensure optimum pressure characteristics with minimum sound level.

The Rangemaster controller may be used with this model or alternatively, single speed extract is achieved using a normal On/Off switch.

MOTOR

Motor purpose-designed. Suitable for running at any angle. Quiet running, enclosed.

Fitted with Standard Thermal Overload Protection. (S.T.O.P.)

Complies with BS 800 and will not interfere with TV or radio reception.

ELECTRICAL

Supply voltage 240V/1/50 Hz, 220V/1/50 Hz, 120V/1/60 Hz and other voltages available to special order.

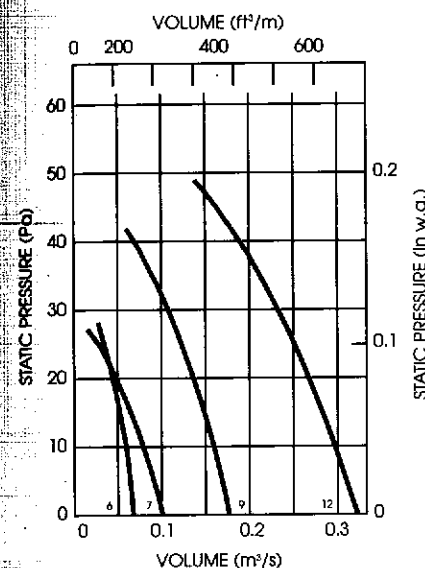
Suitable for operation in ambient temperatures from -40°C to +50°C

EASY CLEANING

Integrated component design allows all parts to be dismantled for cleaning without the use of specialist tools.

PERFORMANCE

Output is for extract on MAXIMUM.



CONTROLLERS



Rangemaster controller.

- ✓ Finger-tip control.
- ✓ Double pole On/Off switching.
- ✓ Infinitely variable speed control, adjustable minimum speed setting.
- ✓ Sensor mode switch enables any of a number of external electro-mechanical switches, eg: HumidiSwitch, ThermoSwitch and TimeSwitch to control the fan.
- ✓ Surface mounting with knockouts for recessed or surface wiring. Flush fitting with metal box accessory for conduit and MIC wiring.

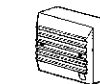
Multi-unit Controller.

For groups of up to 5 units of any one size up to a total of 400 watts. Infinitely variable speed control. Double pole On/Off switching. Do not mix T-Series with Standard Range ventilating units on one controller.

TimeSwitch.

Electronic timer. Can be pre-set for a time overrun of 1-35 minutes. Maximum load 2 (1 inductive) amps.

ELECTRONIC CONTROLLERS



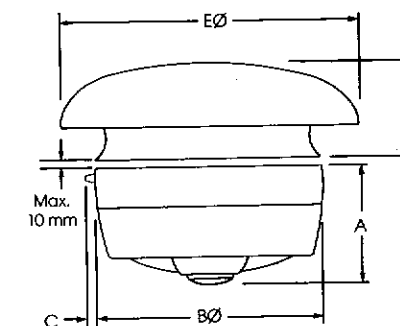
Variatronic condensation controller. An electronic humidistat which varies fan speed with changing levels of humidity.



Air quality sensor. Electronically senses tobacco smoke, toilet odours etc., to switch on fans.

DIMENSIONS

Size	6	7	9	12
Impeller dia.	150mm	190mm	230mm	300mm
Dim.	mm	mm	mm	mm
A	133	140	159	194
BØ	216	254	295	381
C	21	21	21	21
D	95	108	121	146
EØ	267	330	394	508
Fixing hole dia.	184	222	260	337
Weight	3.2kg	3.9kg	5.5kg	8.5kg



Max. 10 mm

For full details of controllers and sensors, see p. 98-101

Unit size	Type	Stock Ref. No.	Amps @ 240V	Extract performance MAX.		Watts MAX.	dBA	Rangemaster		Time Switch type TTC	Multi-unit type MUC
				m³/h	ft³/h			RVS	Flush Fitting		
6	S6/RF	13 14 10	0.16	240	8400	32	45	30 01 10	30 01 10 +40 01 44	36 13 10	36 23 10
7	S7/RF	13 24 10	0.16	350	12400	34	40	30 01 10	30 01 10 +40 01 44	36 13 10	36 23 10
9	S9/RF	13 34 10	0.24	625	22100	53	48	30 01 10	30 01 10 +40 01 44	36 13 10	36 23 10
12	S12/RF	13 44 10	0.36	1130	40000	84	51	30 01 10	30 01 10 +40 01 44	36 13 10	36 23 10