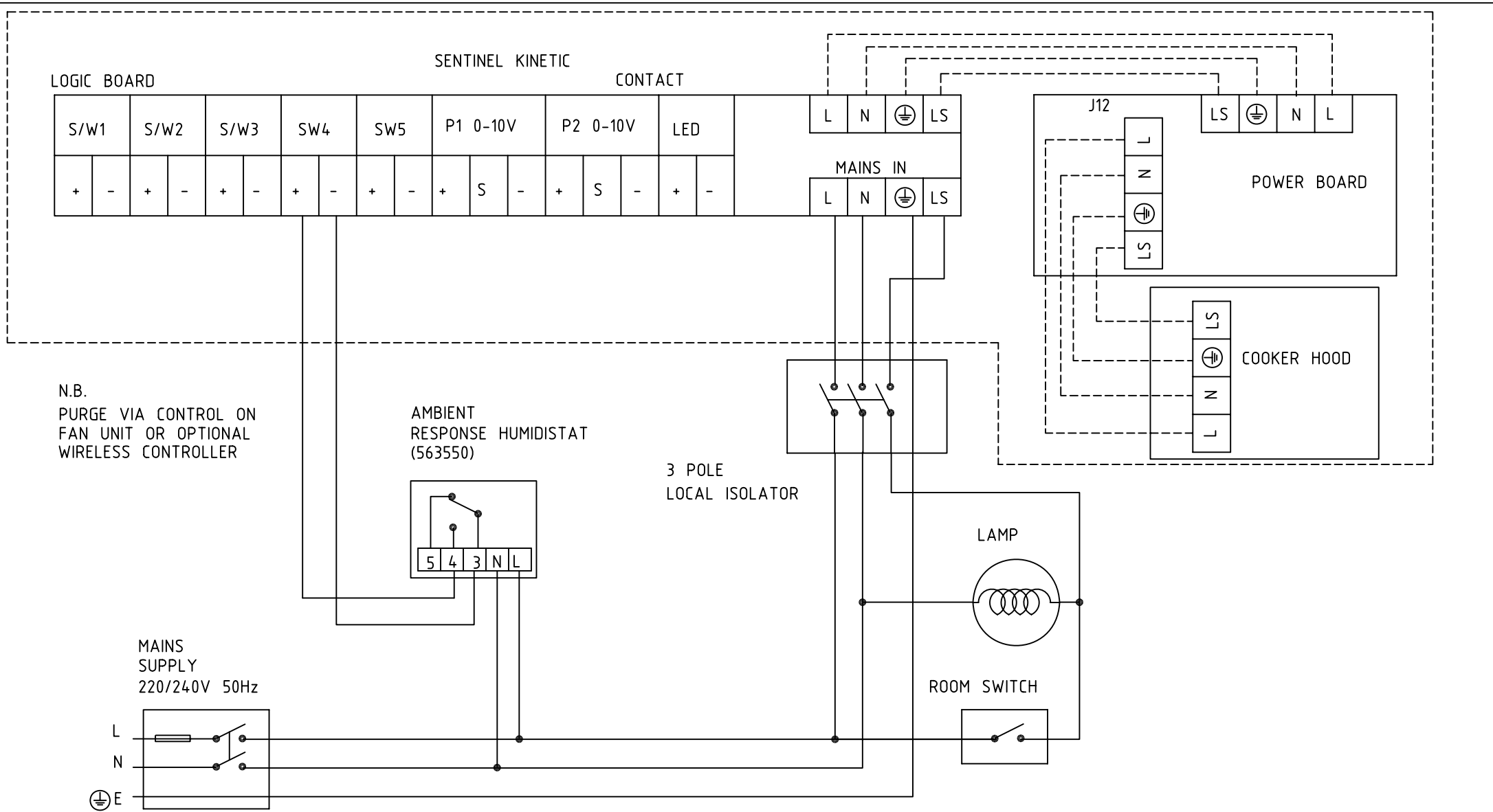


**Note:-**  
 1) Wiring to be in accordance with current IEE regulations  
 2) Refer also to the fitting and wiring instructions for the fans and controllers

**Control description:-**  
 Sentinel Kinetic switching from trickle to Boost by a light switch, or cooker hood switch, or Ambient Response.

A	3227	1.12.2008	STAU
ISSUE	MOD	DATE	CHK'D

ORIGINAL DRAWING SIZE A3	ALL DIMENSIONS IN MILLIMETRES TOLERANCES UNLESS OTHERWISE SPECIFIED:- ±0.5 ON NOMINAL DIMENSIONS ±0.2 ON 1 DECIMAL PLACE DIMENSIONS ±0.1 ON 2 DECIMAL PLACE DIMENSIONS ±0.1 ON HOLE DIAMETERS ETC ±1.0 DEGREE ON ANGULAR DIMENSIONS	This drawing/document is COPYRIGHT and the property of VENT-AXIA Ltd. It must not be copied (in whole or in part), used for manufacture or otherwise disclosed without prior written consent of the company. Any copies of this drawing/document made by any method must also include a copy of this legend. © VENT-AXIA Ltd. 2002	DRAWN D GIBSON	DATE 1.12.2008	CHK'D	DATE	TITLE
			MATERIAL -				Wiring Diagram Sentinel Kinetic Light switch, Humidistat Remote C.H.
			FINISH -				PART No
			PRODUCT	SCALE -			DRG 441087
					PROJECTION		



N.B.  
PURGE VIA CONTROL ON  
FAN UNIT OR OPTIONAL  
WIRELESS CONTROLLER

AMBIENT  
RESPONSE HUMIDISTAT  
(563550)

3 POLE  
LOCAL ISOLATOR

LAMP

ROOM SWITCH

**Note:-**

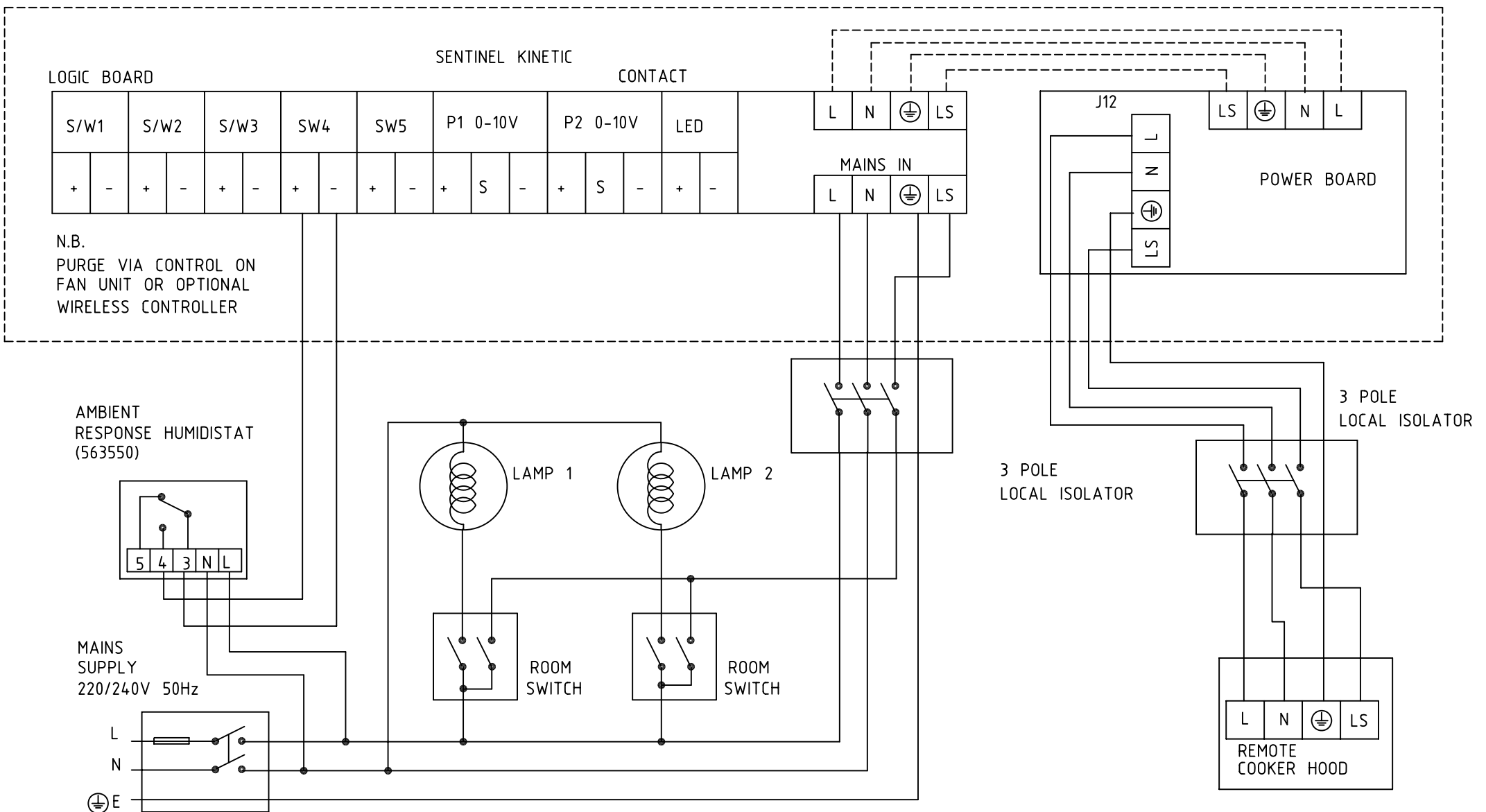
- 1) Wiring to be in accordance with current IEE regulations
- 2) Refer also to the fitting and wiring instructions for the fans and controllers

**Control description:-**

Sentinel Kinetic switching from trickle to Boost by a light switch, or cooker hood switch, or Ambient Response.

A	3227	1.12.2008	STAU
ISSUE	MOD	DATE	CHK'D

ORIGINAL DRAWING SIZE A3	ALL DIMENSIONS IN MILLIMETRES TOLERANCES UNLESS OTHERWISE SPECIFIED:- ±0.5 ON NOMINAL DIMENSIONS ±0.2 ON 1 DECIMAL PLACE DIMENSIONS ±0.1 ON 2 DECIMAL PLACE DIMENSIONS ±0.1 ON HOLE DIAMETERS ETC ±1.0 DEGREE ON ANGULAR DIMENSIONS	This drawing/document is COPYRIGHT and the property of VENT-AXIA Ltd. It must not be copied (in whole or in part), used for manufacture or otherwise disclosed without prior written consent of the company. Any copies of this drawing/document made by any method must also include a copy of this legend. © VENT-AXIA Ltd. 2002	DRAWN DGBSON	DATE 1.12.2008	CHK'D	DATE	TITLE Wiring Diagram Sentinel Kinetic Light switch, Humidistat Built in C.H. PART No DRG 441088 A
			MATERIAL -				
			FINISH -				
			PRODUCT	SCALE -			
					PROJECTION		



**Note:-**

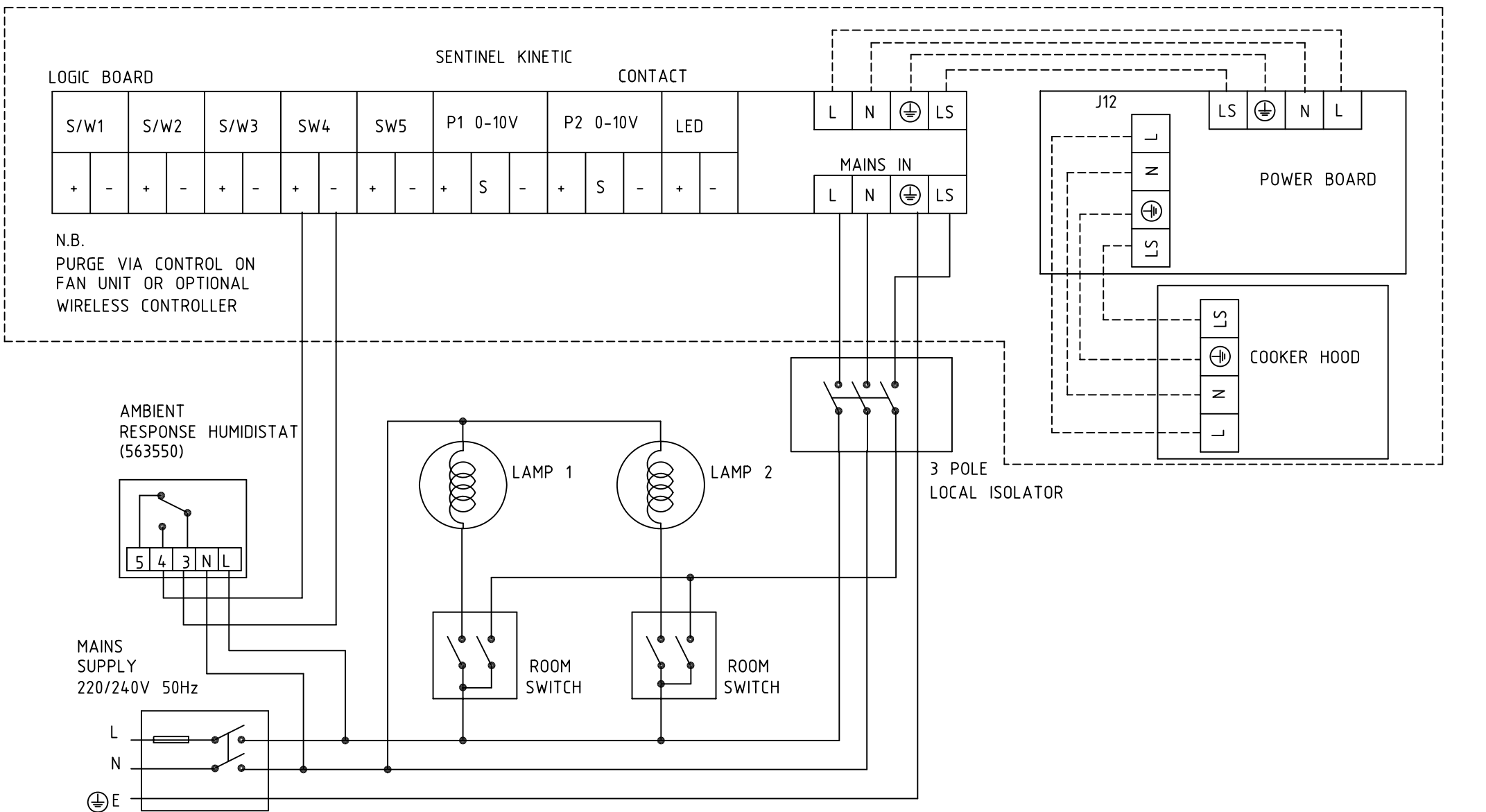
- 1) Wiring to be in accordance with current IEE regulations
- 2) Refer also to the fitting and wiring instructions for the fans and controllers

**Control description:-**

Sentinel Kinetic switching from trickle to Boost by two light switch, or cooker hood switch, or Ambient Response.

A	XXXX	7.4.2009	STAU
ISSUE	MOD	DATE	CHK'D

<p>ORIGINAL DRAWING SIZE A3</p> <p>ALL DIMENSIONS IN MILLIMETRES TOLERANCES UNLESS OTHERWISE SPECIFIED:-          ±0.5 ON NOMINAL DIMENSIONS          ±0.2 ON 1 DECIMAL PLACE DIMENSIONS          ±0.1 ON 2 DECIMAL PLACE DIMENSIONS          ±0.1 ON HOLE DIAMETERS ETC          ±1.0 DEGREE ON ANGULAR DIMENSIONS</p>	<p>This drawing/document is COPYRIGHT and the property of VENT-AXIA Ltd.</p> <p>It must not be copied (in whole or in part), used for manufacture or otherwise disclosed without prior written consent of the company.</p> <p>Any copies of this drawing/document made by any method must also include a copy of this legend.</p> <p>© VENT-AXIA Ltd. 2002</p>	<p>DRAWN DGBSON</p>	<p>DATE 7.4.2009</p>	<p>CHK'D</p>	<p>DATE</p>	<p>TITLE</p> <p>Wiring Diagram Sentinel Kinetic two L.S., Humidistat Remote C.H.</p> <p>PART No</p> <p>DRG 441879 A</p>
		<p>MATERIAL -</p>	<p>SCALE -</p>			
		<p>FINISH -</p>	<p>PROJECTION </p>			
		<p>PRODUCT</p>	<p></p>			



N.B.  
PURGE VIA CONTROL ON  
FAN UNIT OR OPTIONAL  
WIRELESS CONTROLLER

**Note:-**

- 1) Wiring to be in accordance with current IEE regulations
- 2) Refer also to the fitting and wiring instructions for the fans and controllers

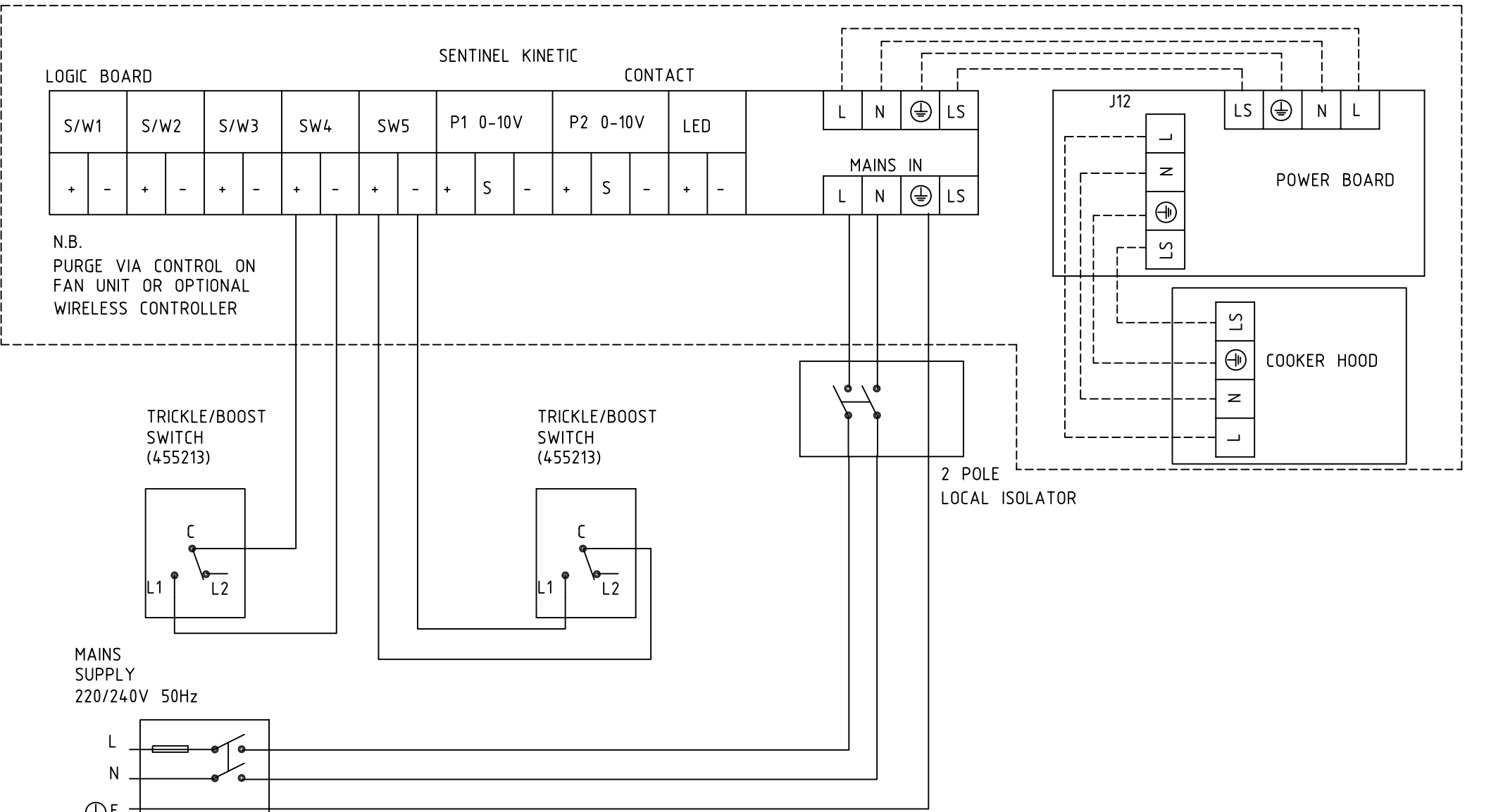
**Control description:-**

Sentinel Kinetic switching from trickle to Boost by a light switch, or cooker hood switch, or Ambient Response.

A	XXXX	7.4.2009	STAU
ISSUE	MOD	DATE	CHK'D

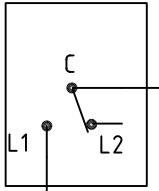
<b>ORIGINAL DRAWING SIZE A3</b>	ALL DIMENSIONS IN MILLIMETRES TOLERANCES UNLESS OTHERWISE SPECIFIED:- ±0.5 ON NOMINAL DIMENSIONS ±0.2 ON 1 DECIMAL PLACE DIMENSIONS ±0.1 ON 2 DECIMAL PLACE DIMENSIONS ±0.1 ON HOLE DIAMETERS ETC ±1.0 DEGREE ON ANGULAR DIMENSIONS	This drawing/document is COPYRIGHT and the property of VENT-AXIA Ltd. It must not be copied (in whole or in part), used for manufacture or otherwise disclosed without prior written consent of the company. Any copies of this drawing/document made by any method must also include a copy of this legend. © VENT-AXIA Ltd. 2002	DRAWN DGBSON	DATE 7.4.2009	CHK'D	DATE	TITLE Wiring Diagram Sentinel Kinetic two L.S. Humidistat, Built in C.H.	
								PART No
								DRG
								441883 A



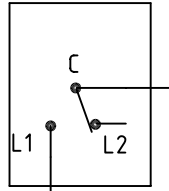


N.B.  
PURGE VIA CONTROL ON  
FAN UNIT OR OPTIONAL  
WIRELESS CONTROLLER

TRICKLE/BOOST  
SWITCH  
(455213)

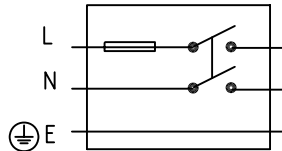


TRICKLE/BOOST  
SWITCH  
(455213)



2 POLE  
LOCAL ISOLATOR

MAINS  
SUPPLY  
220/240V 50Hz



**Note:-**

- 1) Wiring to be in accordance with current IEE regulations
- 2) Refer also to the fitting and wiring instructions for the fans and controllers

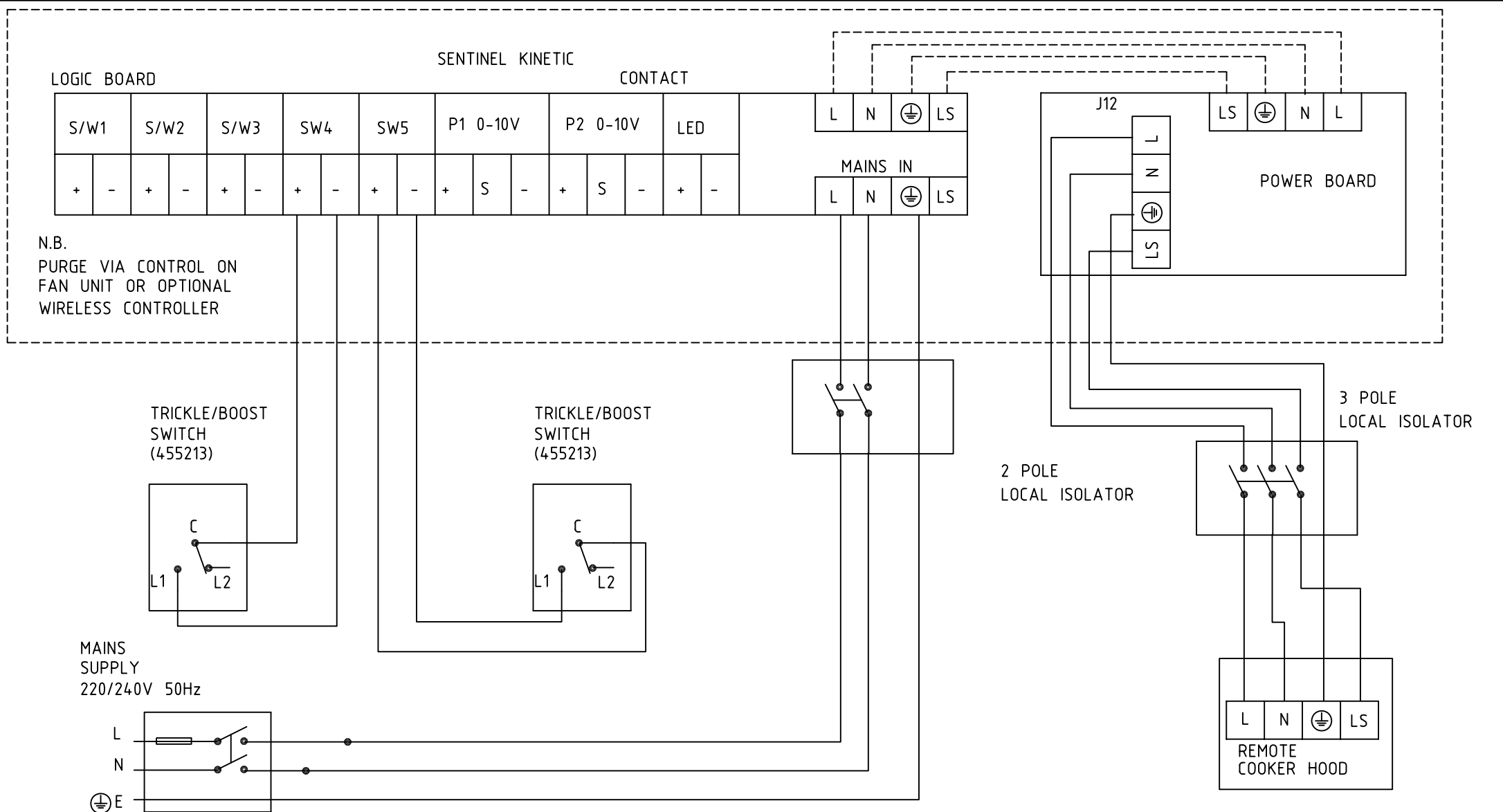
**Control description:-**

Sentinel Kinetic switching from trickle to Boost by two trickle/boost switch, or cooker hood switch.

A	INITIAL	7.4.2009	STAU
ISSUE	MOD	DATE	CHK'D

ORIGINAL DRAWING SIZE A3	ALL DIMENSIONS IN MILLIMETRES TOLERANCES UNLESS OTHERWISE SPECIFIED:- ±0.5 ON NOMINAL DIMENSIONS ±0.2 ON 1 DECIMAL PLACE DIMENSIONS ±0.1 ON 2 DECIMAL PLACE DIMENSIONS ±0.1 ON HOLE DIAMETERS ETC ±1.0 DEGREE ON ANGULAR DIMENSIONS	This drawing/document is COPYRIGHT and the property of VENT-AXIA Ltd. It must not be copied (in whole or in part), used for manufacture or otherwise disclosed without prior written consent of the company. Any copies of this drawing/document made by any method must also include a copy of this legend. © VENT-AXIA Ltd. 2002	DRAWN DGBSON	DATE 11.6.2009	CHK'D	DATE	TITLE
			MATERIAL -	Wiring Diagram Sentinel Kinetic			
			FINISH -	2 Trickle/boost switch, Built in C.H.			
			PRODUCT	SCALE -	PART No		
			PROJECTION		DRG 442311		A





**Note:-**

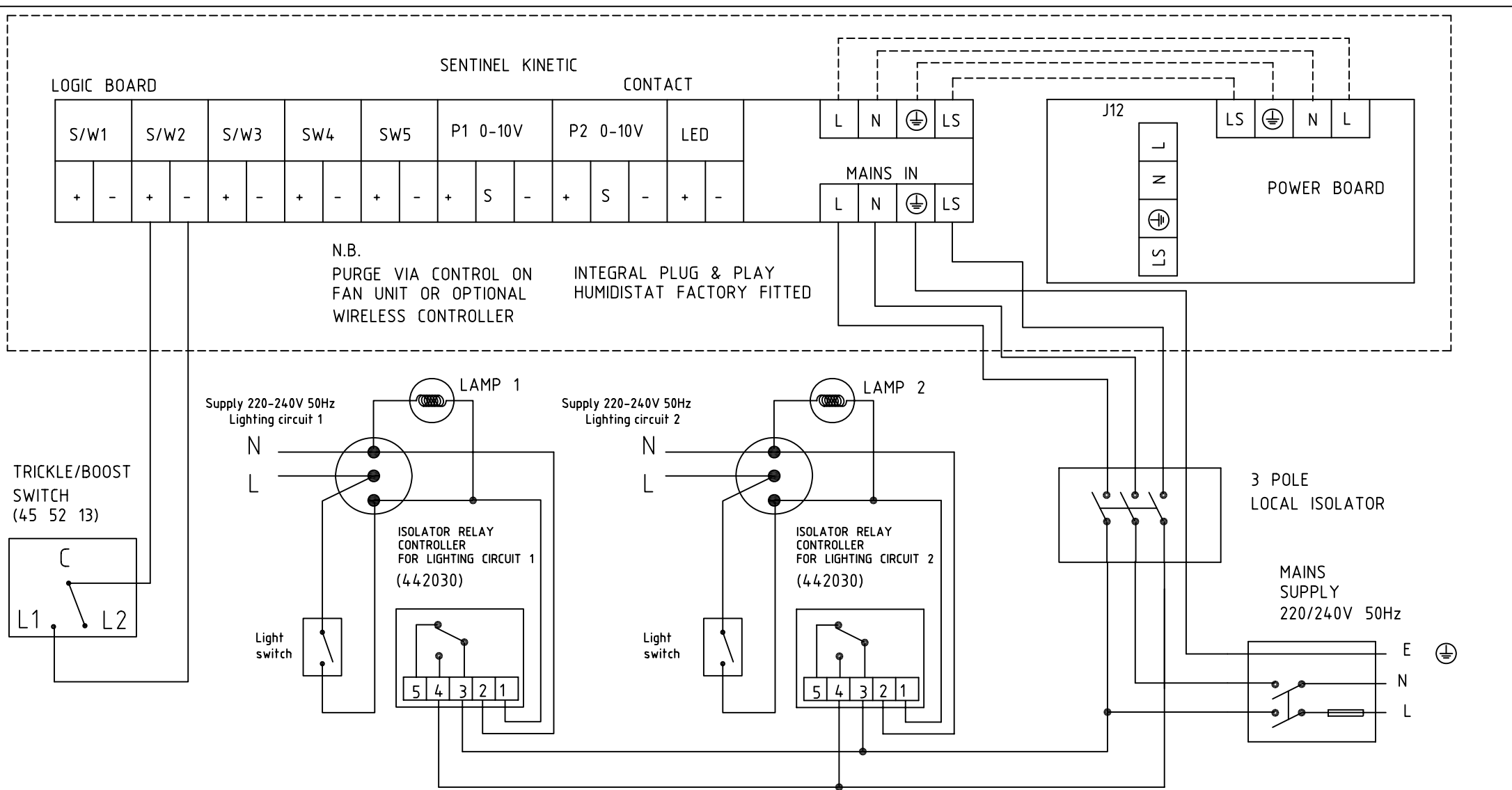
- 1) Wiring to be in accordance with current IEE regulations
- 2) Refer also to the fitting and wiring instructions for the fans and controllers

**Control description:-**

Sentinel Kinetic switching from trickle to Boost by two trickle/boost switch, or cooker hood switch.

A	INITIAL	11.6.2009	STAU
ISSUE	MOD	DATE	CHK'D

ORIGINAL DRAWING SIZE A3	ALL DIMENSIONS IN MILLIMETRES TOLERANCES UNLESS OTHERWISE SPECIFIED:- ±0.5 ON NOMINAL DIMENSIONS ±0.2 ON 1 DECIMAL PLACE DIMENSIONS ±0.1 ON 2 DECIMAL PLACE DIMENSIONS ±0.1 ON HOLE DIAMETERS ETC ±1.0 DEGREE ON ANGULAR DIMENSIONS	This drawing/document is COPYRIGHT and the property of VENT-AXIA Ltd. It must not be copied (in whole or in part), used for manufacture or otherwise disclosed without prior written consent of the company. Any copies of this drawing/document made by any method must also include a copy of this legend. © VENT-AXIA Ltd. 2002	DRAWN DGBSON	DATE 11.6.2009	CHK'D	DATE	TITLE	
			MATERIAL -	Wiring Diagram Sentinel Kinetic				
			FINISH -	2 Trickle/boost switch Remote C.H.				
			PRODUCT	SCALE -	PART No			
			PROJECTION		DRG		442312	A



**Note:-**

- 1) Wiring to be in accordance with current IEE regulations
- 2) Refer also to the fitting and wiring instructions for the fans and controllers

**Control description:-**

Sentinel Kinetic switching from trickle to Boost by two lighting circuits, or Trickle/Boost switch.

B	xxxx	2-2-2010	S.R.A.
A	XXXX	28.1.2010	STAU
ISSUE	MOD	DATE	CHK'D

ORIGINAL DRAWING SIZE A3	ALL DIMENSIONS IN MILLIMETRES TOLERANCES UNLESS OTHERWISE SPECIFIED:- ±0.5 ON NOMINAL DIMENSIONS ±0.2 ON 1 DECIMAL PLACE DIMENSIONS ±0.1 ON 2 DECIMAL PLACE DIMENSIONS ±0.1 ON HOLE DIAMETERS ETC ±1.0 DEGREE ON ANGULAR DIMENSIONS	This drawing/document is COPYRIGHT and the property of VENT-AXIA Ltd. It must not be copied (in whole or in part), used for manufacture or otherwise disclosed without prior written consent of the company. Any copies of this drawing/document made by any method must also include a copy of this legend. © VENT-AXIA Ltd. 2002	DRAWN DGIBSON	DATE 28.1.2010	CHK'D	DATE	TITLE
			MATERIAL -				Wiring Diagram Sentinel Kinetic two Light Sw & Trickle/boost Sw
			FINISH -				PART No
			PRODUCT	SCALE -			DRG 443766
					PROJECTION		