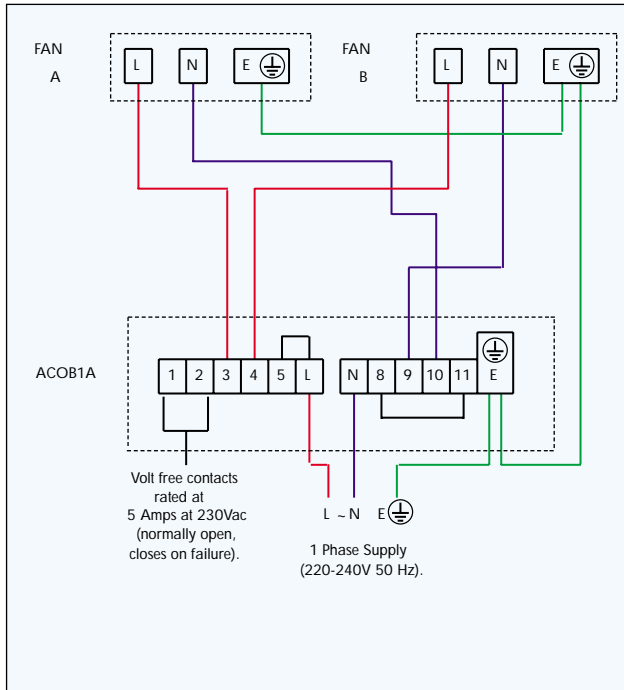


# Quiet Pack Twin Fan

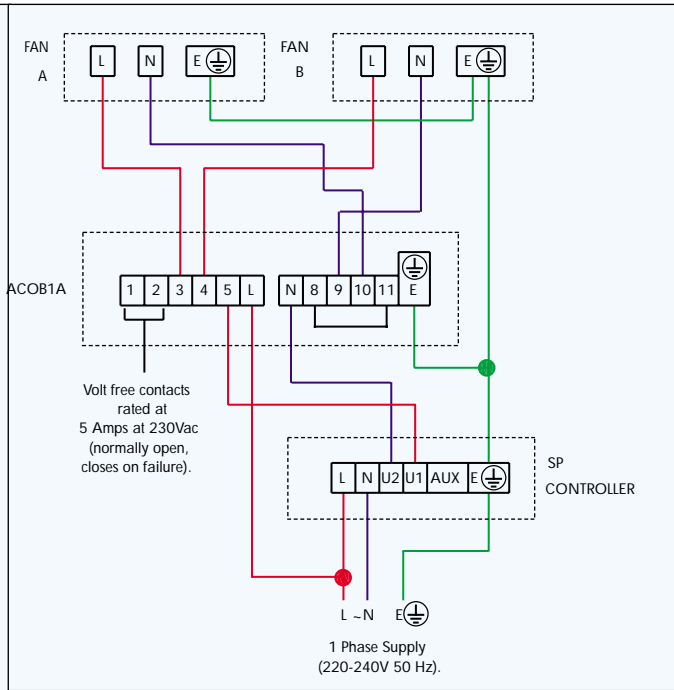
## Single Phase In-line Quiet Pack Twin Fans

### Wiring Diagrams 230V 1PH 50Hz Supply

**SINGLE PHASE QUIET PACK FANS CONTROLLED BY AN ACOB1A CONTROLLER**



**SINGLE PHASE QUIET PACK FANS CONTROLLED BY A ACOB1A & ELECTRONIC SPEED CONTROLLER**



**SINGLE PHASE QUIET PACK FANS CONTROLLED BY A ACOB1A & SPM TRANSFORMER CONTROLLER**

