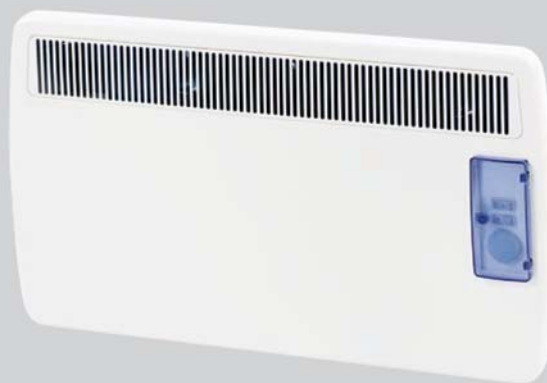


Optimax Plus Panel Heater

Features & Benefits

- Integral adjustable thermostat
- Optional integral timer model
- Frost protection setting of 5°C
- BEAB approved
- Unique quick fix wall bracket
- Colour RAL 9001
- Ideal complement to storage heaters
- Brackets for panel included
- IP24 rated



Comfort Heating

Our Optimax Plus Panel Heaters are perfect for smaller rooms such as bedrooms, studies, conservatories and loft conversions.

Vent-Axia's Panel Heaters offer a wide range of heat outputs from 750W to 2000W and every model is available with or without a timer. Vent-Axia Panel Heaters look as good as they perform. Stylish and slim, they occupy minimal wall space and are finished in an attractive white finish.

Vent-Axia Panel Heaters are wall mounted and connected to the permanent electrical supply via a fused connection switched outlet. Vent-Axia Panel Heaters are supplied with mounting brackets and one metre of cable connected to the bottom right hand side of the unit.

Adjustable Thermostat

All Vent-Axia Panel Heaters have a built-in adjustable thermostat offering a full temperature range, including a frost protection setting of 5°C.

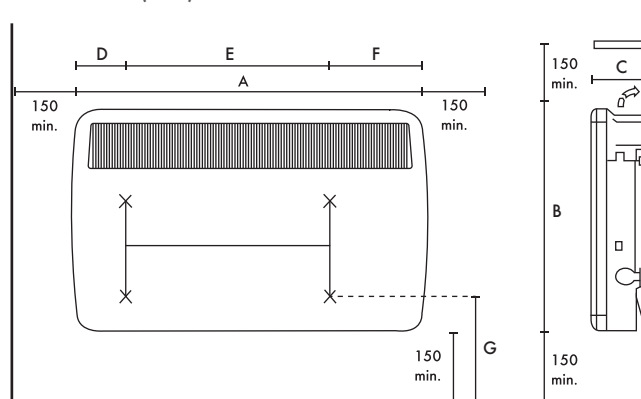
For maximum safety there is a thermal cut-out on all models to prevent overheating should the outlet grille be accidentally covered.

Specification

Stock Ref	Model	Output	Weight
		kW	kg
439034 / 439038	VAPH 075/T	0.75	6.2
439035 / 439039	VAPH 125/T	1.25	6.6
439036 / 439040	VAPH 150/T	1.5	6.6
439037 / 439041	VAPH 200/T	2	8.0

220-240V-50Hz. BEAB Approved.

Dimensions (mm)



Stock Ref	A	B	C	D	E	F	G
439034 / 439038	620	430	108	118	288	214	255
439035 / 439039	690	430	108	118	358	214	255
439036 / 439040	690	430	108	118	358	214	255
439037 / 439041	860	430	108	118	528	214	255

Models

Manual and Timer versions available.

Model	Stock Ref
VAPH 075	439034
VAPH 075T	439038
VAPH 125	439035
VAPH 125T	439039
VAPH 150	439036
VAPH 150T	439040
VAPH 200	439037
VAPH 200T	439041