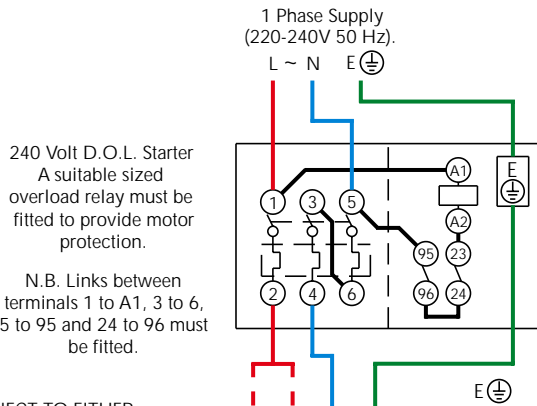


# MINI MIXED FLOW ROOF FANS WIRING DIAGRAMS

## SINGLE PHASE FAN CONNECTED TO A D.O.L. STARTER

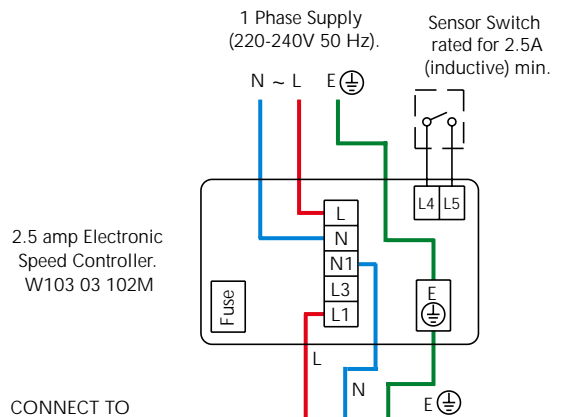


CONNECT TO EITHER  
Hi = HIGH SPEED  
Lo = LOW SPEED

Note: Do not connect the Hi and Lo terminals simultaneously. This will cause damage to the motor.

ACR 150  
ACR 200  
ACR 250  
ACR 315

## SINGLE PHASE FAN CONNECTED TO A 2.5 AMP ELECTRONIC SPEED CONTROLLER

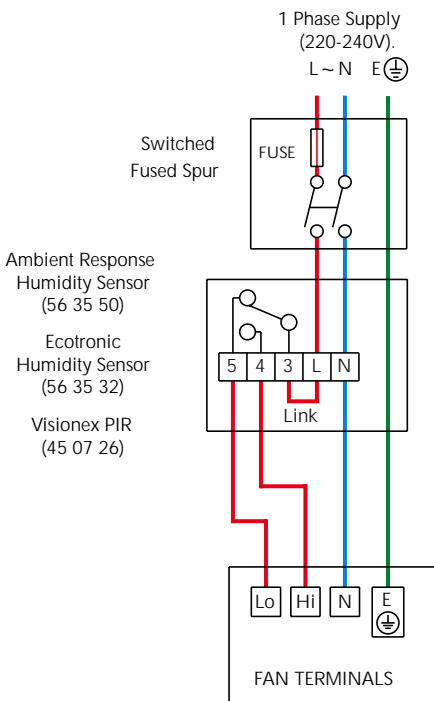


CONNECT TO  
Hi = HIGH SPEED ONLY.

Note: Do not connect the Hi and Lo terminals simultaneously. This will cause damage to the motor.

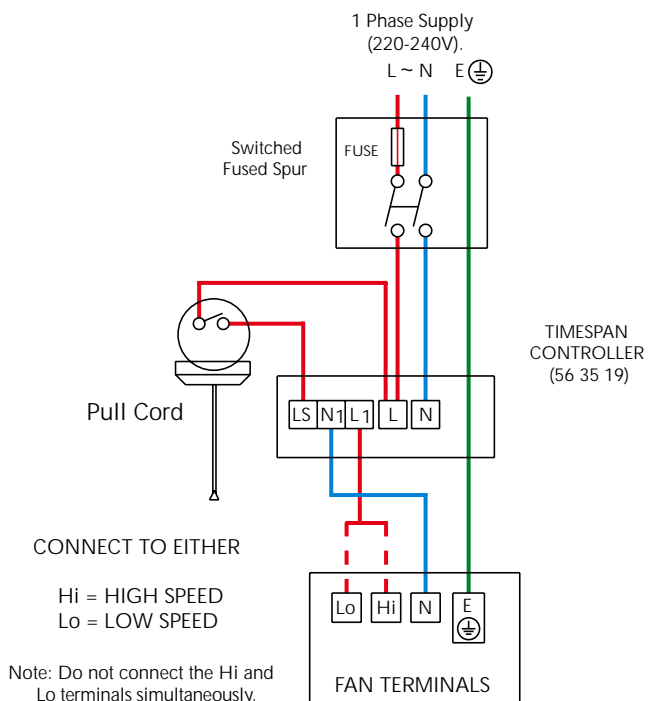
ACR 150  
ACR 200  
ACR 250  
ACR 315

## SINGLE PHASE FAN CONNECTED TO AN EXTERNAL SENSOR, WIRED FOR TWO SPEED OPERATION.



ACR 150  
ACR 200  
ACR 250  
ACR 315

## SINGLE PHASE FAN CONNECTED TO AN OVER-RUN TIME.



CONNECT TO EITHER  
Hi = HIGH SPEED  
Lo = LOW SPEED

Note: Do not connect the Hi and Lo terminals simultaneously. This will cause damage to the motor.

ACR 150  
ACR 200  
ACR 250  
ACR 315