

Lo-Carbon Svava

- The UK's first App controlled unitary fan!
- Set up and control through the App via Bluetooth
- Continuous or intermittent
- 1 model for all applications
- Silent hours scheduling and purge mode functions
- Intelligent light sensor with overrun timer - allows replacement of a basic model fan
- 3 Speed, IP44 Rated, DC motor with 5 year guarantee
- Suitable for ceiling, panel or wall mounting
- Only 17 dBA

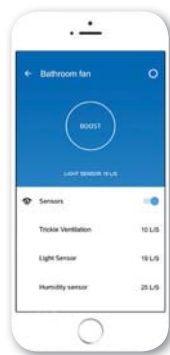


The UK's first App controlled unitary fan

The launch of Svava marks the next generation of unitary fans.

For electricians, installation is made simple through Svava's Bluetooth-enabled App allowing you to choose whether to opt for intermittent or continuous ventilation; whether you would like the humidistat to trigger operation or not; and whether the overrun timer is required. No more fiddly switches and jumpers!

For consumers Svava offers improved comfort in their homes since it has been developed to allow households to take control of their indoor air quality via the App.



Aesthetics and silence

The name Svava takes its influence from the fan's Swedish heritage - a country well known for iconic and well thought out designs. Consumers will be attracted to Svava's good looks with its sleek modern design, plus with noise a key issue for consumers, households will also be impressed by Svava's quiet running, operating at just 17 dBA on low trickle. It is also easy to clean as the central module disconnects the motor from the rest of the fan allowing it to be simply wiped with a soft cloth, and at only 4W the energy efficient Svava also boasts low power consumption.

One model fits all

Vent-Axia Svava is programmed to cope with the vast majority of installations.

The fan is set as default to work continuously at a trickle flow of 10l/s.

When the fan senses a somebody in the room it increases the flow to 19l/s. If the humidity rises rapidly, for example when the shower is on, the fan goes up to maximum flow at 30l/s.

When the fan senses the humidity level has returned to normal it reverts to the trickle flow of 10l/s.

If other settings or functions are desired, they can be selected through the Vent-Axia Connect App which can be downloaded from the App Store and Google Play.

Functions

Light sensor

When the light sensor is enabled Svava senses when someone is in the room and then activates. Its sophisticated light sensor is triggered by light movement and shadows. It is possible to set a delay-on so the fan is not triggered by the light during quick night time bathroom visits. The light sensor can also distinguish between headlight flashes from cars and room occupancy, so it is not triggered by passing cars, avoiding nuisance running. The sensitivity of the light sensor can be adjusted via the App.

Overrun Timer

The light sensor provides an overrun timer but only requires a live and neutral. In houses where there is only a basic fan installed, the home owner can upgrade to a timer fan without having to rewire.

Humidistat

Svava features a humidistat which reacts to sharp changes in humidity, for instance when someone is taking a shower. When set to continuous running, once the humidity sensor is activated the fan runs at 30l/s until humidity returns to normal levels then the fan powers down to 10l/s. Ambient humidity changes will not trigger the humidistat. It is possible to change the sensitivity of the humidity sensor via the App.

Silent scheduling and Automatic cycles

The silent hours scheduling function allows you to deactivate the boost function on the Svava via the App, for example, this would prevent nuisance noise over night. Additionally during a vacation you can set Svava to an airing mode which operates a purge function every 12 hours for either 30, 60 or 90 minutes depending on selection. However, Svava's sophisticated controls, will not purge if the light sensor detects that there is someone in the house.

Models

Svara kitchen and bathroom fan

100 mm Axial fan. Factory set at continuous running with Humidistat and Light Sensor/overrun timer On.

Model	Stock Ref
Lo-Carbon Svara	409802

Accessories

Model	Stock Ref
Wall Kit	254102



Model	Stock Ref
Back draught shutter	406605

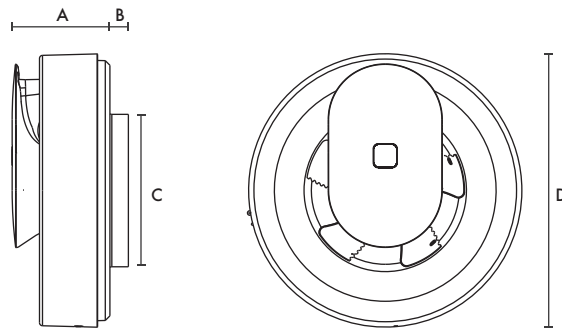


Cover plate

For duct dimensions between Ø140-160mm

Model	Stock Ref
Cover plate	409820

Dimensions (mm)



A	B	CØ	DØ
60	21	99	177

Performance Guide

Low Trickle	Extract Performance - FID (l/s)			Sound dB(A) @ 3m	SFP (W/l/s) @ 0Pa
	High Trickle	Boost	Max Watts		
10	16	30	4	17-20	0.13