

Lo-Carbon Sentinel Multivent/Plus

- Reduces your carbon footprint
- Recognised in SAP PCDB
- Specific fan power as low as 0.16 W/l/s
- Suitable for use with external sensors and controllers
- Wireless control option for "X" models
- Complies with Building Regulations ADF and ADL
- Manufactured in the UK



Sentinel Multivent continuous mechanical extract ventilation, MEV is designed for the simultaneous ventilation of separate areas in the home or as a multipoint extraction system for a wide range of commercial applications. The units can be wall, ceiling or loft mounted. Where the ambient air has a high humidity content condensate drains are provided.

In support of Sentinel Multivent, Vent-Axia offers:

- Practical advice on product selection and installation
- Guidance on solutions to meet legislation requirements
- Project management and site deliveries
- After sales support and maintenance information

The need to improve efficiency

Sentinel Multivent has been designed to meet the exacting demands of developers, installers and users offering advanced control options and easier installation and commissioning.

- Demand Control - enables precise ventilation rate, is set in 1% increments based on property size
- Comfort mode allows homeowners to control when the unit runs and for how long to avoid disturbance
- Integral digital display allows the installer to select appropriate low, normal, boost and purge speeds to meet demand
- Manual and automatic control options
- Integral adjustable overrun timer and delay on timer
- Switched live and SELV connections
- Optional Wireless Control on "X" units
- Energy efficient EC/DC motors - 1/3 less energy lost to heat than a conventional AC motor
- Low Specific Fan Power (SFP) making it one of the most efficient products on the market

Legislation

- Meets Building Regulations Approved Document F (System 3)
- Recognised in SAP PCDB up to kitchen + 6 wet rooms
- Meets carbon footprint reduction targets
- The need for better health: Removal of pollutants such as moisture, carbon dioxide and external fumes are all important factors

in maintaining indoor air quality, helping to create a healthier living environment

- The integral humidity sensor (Sentinel Multivent H) increases fan speed in proportion to relative humidity levels, saving energy and reducing noise
- The sensor also reacts to small but rapid increases in humidity, even if the normal trigger threshold is not reached. This unique feature ensures adequate ventilation, even for the smallest wet room
- Night time relative humidity increment setback feature suppresses nuisance tripping as humidity gradually increases with falling temperature

SAP PCDB

In order to make the right choice, developers and contractors should refer to Building Regulations ADL1a, SAP 2012 and SAP PCDB.

SAP PCDB was launched in June 2006 to reward innovative ventilation manufacturers by testing and listing energy efficient products that assist in helping developers meet their Target Emission Rates (TER).

SAP is the underpinning methodology behind the Energy Performance Certificates and is used to demonstrate compliance with Building Regulations for Dwellings - Approved Document L (England and Wales), Section 6 (Scotland) and Approved Document F (Northern Ireland). SAP PCDB specifically relates to wholehouse ventilation systems and lists a number of Vent-Axia Mechanical Ventilation solutions which offer an improved SAP rating over and above the default for these product types.

SEC Class

| Model | SEC Class (inc. LDC) |
|-------------------------|----------------------|
| Sentinel Multivent/Plus | B |

SAP PCDB Test Results (Sentinel Multivent and Multivent Plus)

| Exhaust Terminal Configuration | Total Flow Rate (l/s) | SFP (W/l/s) |
|--------------------------------|-----------------------|-------------|
| K+1 | 21 | 0.17 |
| K+2 | 29 | 0.16 |
| K+3 | 37 | 0.17 |
| K+4 | 45 | 0.18 |
| K+5 | 53 | 0.21 |
| K+6 | 61 | 0.24 |

To assist developers and contractors Vent-Axia can provide detailed scheme designs together with installation guidance and training.

Your Carbon Footprint

Carbon footprint is a measure of the amount of carbon dioxide (CO²) emitted through the burning of fossil fuels. From a residential and commercial building perspective, it is the amount of carbon generated when you consume a kiloWatt (kW) of electricity. Reducing a building's carbon footprint will ultimately reduce electricity bills and save money for every individual household or business. It will also help meet the UK target for the reduction of emissions, as well as allowing you to help the environment.

Model

| Model | Stock Ref |
|--|-----------|
| Sentinel Multivent H | 445655 |
| Sentinel Multivent HX | 495360 |
| Sentinel Multivent HX CO ² | 495361 |
| Sentinel Multivent Plus H | 407849 |
| Sentinel Multivent Plus HX | 495362 |
| Sentinel Multivent Plus HX CO ² | 495363 |

Accessories

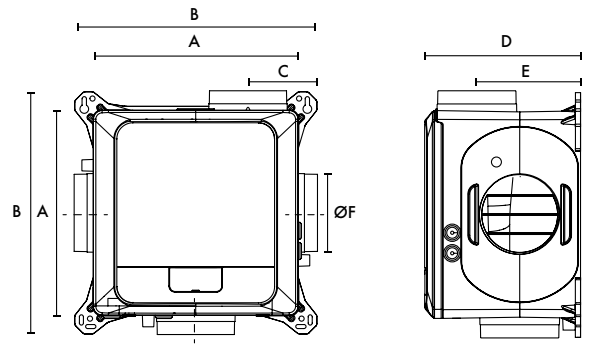


| Accessories | Stock Ref |
|-----------------------------------|-----------|
| Anti Vibration Mounts (Pack of 4) | 68MP033G |

See page D:10 for control options.

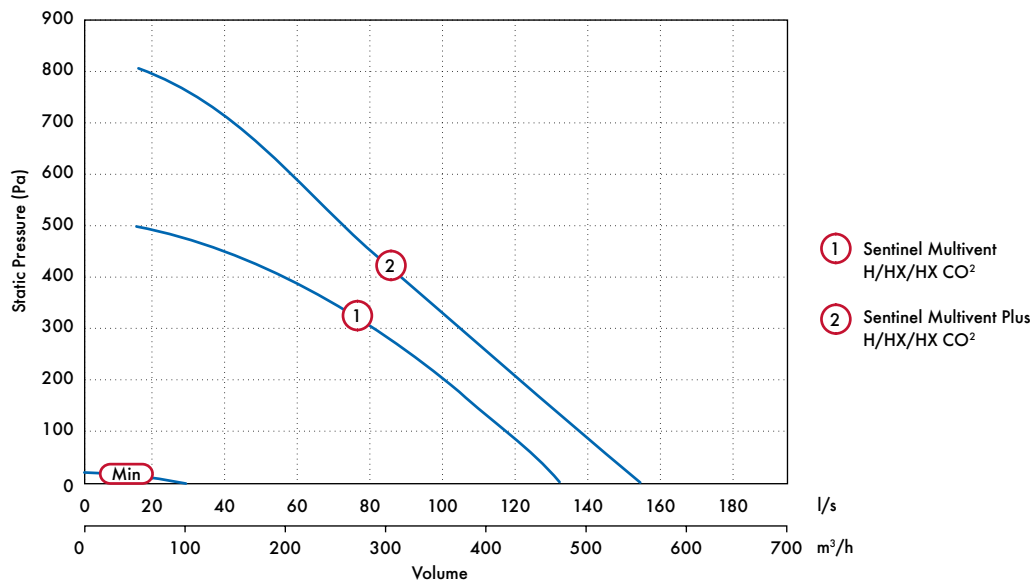
Dimensions (mm)

MVDC-MS/H



| A | B | C | D | E | ØF |
|-----|-----|-----|-----|----|-----|
| 330 | 390 | 111 | 250 | 96 | 125 |

Performance Guide



| Stock Ref | Model | Curve Ref | FID (l/s) | Power Watts | IP Rating |
|--------------------------|----------------|-----------|-----------|-------------|-----------|
| 445655 / 495360 / 495361 | Multivent | 1 (max) | 128 | 52 | IPX2 |
| 407849 / 495362 / 495363 | Multivent Plus | 2 (max) | 159 | 85 | IPX2 |

Sound Data

| Model | Speed | Test Mode | Octave Band (Hz) Sound Power Levels, dB | | | | | | | | LwA | SpL @ 3m |
|--------------------|-------|-----------|---|------|------|------|------|------|------|------|------|----------|
| | | | 63 | 125 | 250 | 500 | 1k | 2k | 4k | 8k | | |
| Sentinel Multivent | 20% | Extract | 32.5 | 50.7 | 41.9 | 37.5 | 28.4 | 19.4 | 17.8 | 22.3 | 38.0 | 20.5 |
| | | Breakout | 28.7 | 37.6 | 32.5 | 29.6 | 20.9 | 14.8 | 17.9 | 22.7 | 30.5 | 10.0 |
| | 40% | Extract | 33.4 | 51.3 | 52.7 | 48.2 | 41.8 | 38.0 | 24.0 | 22.8 | 49.2 | 31.7 |
| | | Breakout | 34.1 | 52.7 | 42.6 | 38.9 | 30.3 | 24.8 | 18.5 | 22.6 | 42.0 | 21.5 |
| | 60% | Extract | 38.2 | 53.3 | 70.5 | 58.9 | 49.5 | 46.0 | 35.8 | 27.2 | 61.5 | 44.0 |
| | | Breakout | 44.8 | 48.4 | 54.4 | 45.4 | 37.6 | 32.6 | 23.6 | 22.8 | 47.4 | 26.9 |
| | 80% | Extract | 41.7 | 55.5 | 70.3 | 60.6 | 55.3 | 52.7 | 43.5 | 35.9 | 64.2 | 46.7 |
| | | Breakout | 41.8 | 51.6 | 61.9 | 50.9 | 43.5 | 39.5 | 30.3 | 23.9 | 55.1 | 34.6 |
| | 100% | Extract | 46.3 | 58.1 | 75.1 | 66.7 | 60.1 | 58.0 | 49.1 | 43.3 | 70.2 | 52.7 |
| | | Breakout | 46.0 | 54.0 | 63.2 | 55.3 | 47.8 | 44.6 | 35.7 | 27.0 | 58.3 | 37.8 |

Tested according to BS EN 13141-6:2010. Breakout quoted spherical. Extract quoted hemispherical.

| Model | Speed | Test Mode | Octave Band (Hz) Sound Power Levels, dB | | | | | | | | LwA | SpL @ 3m |
|-------------------------|-------|-----------|---|------|------|------|------|------|------|------|------|----------|
| | | | 63 | 125 | 250 | 500 | 1k | 2k | 4k | 8k | | |
| Sentinel Multivent Plus | 20% | Extract | 30.3 | 49.6 | 43.5 | 40.4 | 33.2 | 25.2 | 18.2 | 22.4 | 40.3 | 22.8 |
| | | Breakout | 30.5 | 39.8 | 35.3 | 31.3 | 22.3 | 16.5 | 17.9 | 22.8 | 32.5 | 12.0 |
| | 40% | Extract | 43.5 | 54.7 | 60.8 | 54.5 | 46.2 | 42.5 | 31.0 | 24.5 | 54.5 | 37.0 |
| | | Breakout | 47.0 | 49.3 | 54.0 | 42.1 | 33.9 | 29.1 | 20.6 | 22.6 | 45.7 | 25.2 |
| | 60% | Extract | 40.8 | 55.2 | 67.0 | 61.0 | 54.0 | 50.9 | 41.3 | 33.3 | 62.1 | 44.6 |
| | | Breakout | 40.1 | 51.2 | 58.7 | 48.2 | 41.3 | 37.4 | 28.4 | 23.5 | 52.0 | 31.5 |
| | 80% | Extract | 45.5 | 57.6 | 79.1 | 66.3 | 59.7 | 57.5 | 48.5 | 42.7 | 73.2 | 55.7 |
| | | Breakout | 45.6 | 54.6 | 64.5 | 54.7 | 46.5 | 44.2 | 35.2 | 26.5 | 59.1 | 38.6 |
| | 100% | Extract | 52.7 | 61.8 | 71.6 | 81.8 | 66.1 | 62.7 | 54.0 | 49.2 | 77.8 | 60.3 |
| | | Breakout | 56.0 | 56.6 | 61.2 | 63.1 | 51.3 | 49.0 | 40.4 | 31.4 | 60.9 | 40.4 |

Tested according to BS EN 13141-6:2010. Breakout quoted spherical. Extract quoted hemispherical.

Controllers and Sensors

Sentinel Multivent can be used with a wide range of Vent-Axia controllers and sensors. Ranging from integral humidistats, through to wireless controllers to wired remote sensors.

Ambient Response Humidity Sensor

- Pullcord override and indication light
- Changeover relay switch
- Operating range: 30% - 90%RH
- Ambient operating temp. 5°C to 40°C
- 220-240V AC
- Will fit single gang box for surface mounting

Stock Ref

563550



CO₂ + Temp Room Sensor

- 240V DC
- 0 - 2000ppm CO₂ working range
- 0 - 50°C working range
- Auto-calibrating NDIR CO₂ absorption sensor
- Thin film platinum temperature sensor for high accuracy

Stock Ref

433257



Visonex PIR Sensor

- Fits any UK single gang mounting box
- Adjustable timer overrun (5-25 mins)
- Range of detection up to 10 metres
- Designed to meet IP43
- Ambient operating temp. range 0°C to 50°C

Stock Ref

459623



Air Quality Sensor

- Ambient operating temp. 0°C to 50°C
- DEMKO approved
- Surface mounted
- 1 - 25 min O/R timer
- Supply voltage 220-240V

Stock Ref

563506



Ecotronic Humidity Sensor

- Set point adjustable
- Maximum switching load 1 Amp inductive
- Pullcord override indicator
- Ambient operating temp. 0°C to 40°C
- Supply voltage 220-240V

Stock Ref

563532

