

Lo-Carbon Multivent

Features & Benefits

- Reduces your carbon footprint
- Fitted with four extract 100 or 125mm diameter spigots allowing quick connection to ducts
- Option of wall, ceiling and loft mounting
- Quiet running suitable for continuous operation
- Can extract from a number of rooms, depending on the dwelling
- Wireless Controller available



The Lo-Carbon Multivent continuous mechanical extract ventilation range is designed for the simultaneous ventilation of separate areas in the home or as a multipoint extractor system for a wide range of commercial applications.

In the home the system is usually located in the loft or airing cupboard with ducts taken to the bathroom, utility room and toilets to remove air pollutants such as water vapour and odours.

Lo-Carbon Multivent is ideal for a range of commercial applications such as toilets, fitting rooms, and kiosks. The units can be installed at any angle and where the ambient air has a high humidity content condensate drains are provided.

The Lo-Carbon Multivent H version incorporates a built-in humidity sensor to switch between two of the three speeds. A Wireless Controller is available for use with the Lo-Carbon Multivent H with three speed options offering total control of the system.

Lo-Carbon MVDC

The Lo-Carbon MVDC Multivent minimises running costs by incorporating the latest DC technology. DC efficiency means less wear and tear on the motor which guarantees longer life.

Extended motor guarantee to 5 years offered.

Models

Model	Stock Ref
MVDC	181520
MVDCH	183020

Accessories

Acoustic Lining Kit

For reducing noise in sensitive installations

Stock Ref

438195

Multivent Wireless Controller

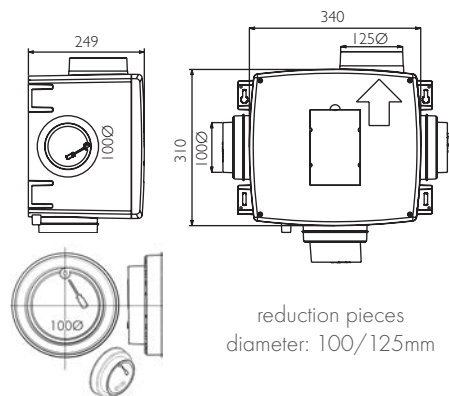
(for use with MVDCH only)

Stock Ref

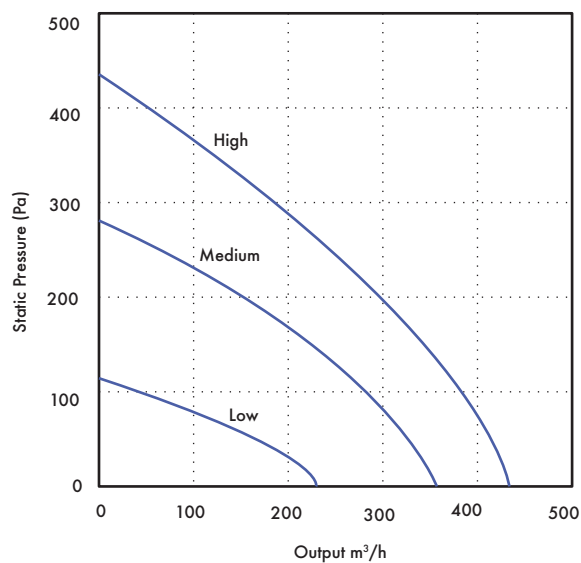
426035

Dimensions (mm)

Weight: 5.50kg



Performance Curve



Technical Data

Model	Low		Medium		High		SEC Class	SEC Class (inc. LDC)
	Current Amps	Power Watts	Current Amps	Power Watts	Current Amps	Power Watts		
MVDC	0.1	9	0.23	20	0.39	44	E	B
MVDCH	0.1	9	0.23	20	0.39	44	D	B

Sound Level

Model	FID Perf. m³/h (l/s)	Sound dB(A) @ 3m		
		Casing Breakout	Duct Inlet 100mmØ	Duct Inlet 125mmØ
MVDC				
low	232 (64)	33.3	36.5	36.5
medium	365 (100)	33.7	47.9	47
high	434 (120)	38.8	51.7	51.5
MVDCH				
low	232 (64)	33.3	36.3	36.5
medium	365 (100)	33.7	47.9	47
high	434 (120)	38.8	51.7	51.5