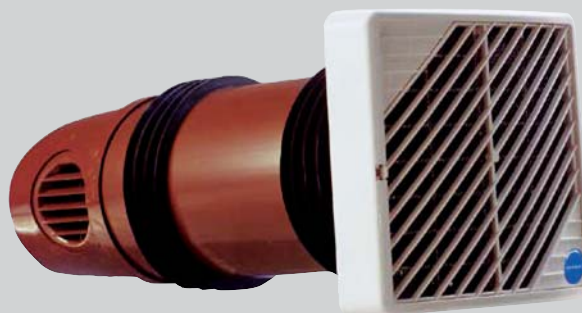


Lo-Carbon HR25

Features & Benefits

- Reduces the home's carbon footprint
- Designed for installations in bathrooms, toilets and utility areas
- 84% temperature based heat recovery
- Up to 90% energy saving
- Controls condensation and eliminates mould
- Choice of control options
- Long life, low energy DC motor
- IP24 rated



Long Life Ventilation

The Vent-Axia Lo-Carbon HR25 range of through-the-wall heat recovery units are suitable for fitting through a 152mm (6") circular hole and are designed for use in bathrooms, toilets and utility areas. The Lo-Carbon HR25 is available in two lengths, a standard version suitable for wall thicknesses of up to 310mm and an extended version suitable for wall thicknesses of up to 425mm. From a controllability perspective, the HR25 is available either with a standard pullcord switch or with an integral adjustable humidity sensor ('H' version), which will work automatically depending on the relative humidity in the room.

Performance

The units are fitted with a 24V DC motor and are supplied with a transformer which has the ability to operate at only 2 Watts power consumption on normal setting.

Maintenance

Apart from removing odours, providing fresh air and recovering heat, this appliance extracts airborne impurities such as dust, dirt and grease. Filters should be replaced every six months or as conditions necessitate.

Models

Lo-Carbon HR25

The HR25 is fitted with a pullcord switch which operates the twin speed control function.

Model	Stock Ref
Lo-Carbon HR25	372261

Lo-Carbon HR25H

The HR25H is fitted with an adjustable humidity sensor which automatically switches between its high and low settings depending on the relative humidity in the room.

Model	Stock Ref
Lo-Carbon HR25H	372262

Lo-Carbon HR25L

An extended version of the HR25 is available, designed for installations where the wall thickness is between 311 mm and 425mm.

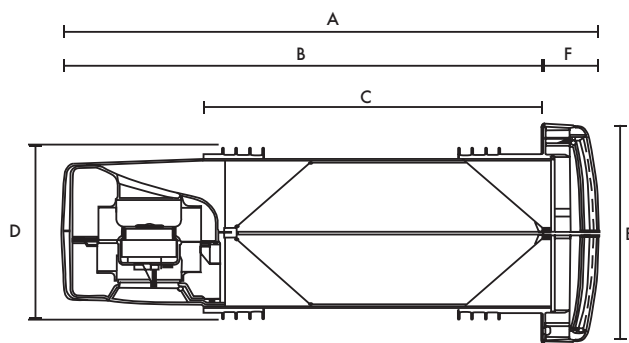
Model	Stock Ref
Lo-Carbon HR25L	372264

Lo-Carbon HR25LH

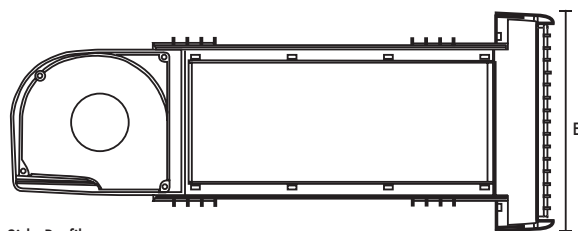
An extended version of the HR25H is available, designed for installations where the wall thickness is between 311 mm and 425mm.

Model	Stock Ref
Lo-Carbon HR25LH	372265

Dimensions (mm)



Top Profile



Side Profile

	A	B	C	D	E	F
Standard	508	451	318	147	204	54
Long	666	548	433	147	204	54

Standard - Weight 3.4kg, Long - Weight 3.5kg

Fixing hole \varnothing 152mm

Performance

Model	Extract Performance l/s (m ³ /h)		Intake Performance l/s (m ³ /h)		Watts		Sound dB(A) @ 3m*	
	Boost	Trickle	Boost	Trickle	Boost	Trickle	Boost	Trickle
HR25	15 (55)	5 (20)	10 (36)	2 (8)	23	2	49.2	16.8
HR25H	15 (55)	5 (20)	10 (36)	2 (8)	23	2	49.2	16.8
HR25L	15 (55)	5 (20)	10 (36)	2 (8)	23	2	49.2	16.8
HR25LH	15 (55)	5 (20)	10 (36)	2 (8)	23	2	49.2	16.8

*Octave band frequency range of 250Hz to 4KHz at 3m. Unit mounted on a reflective surface.