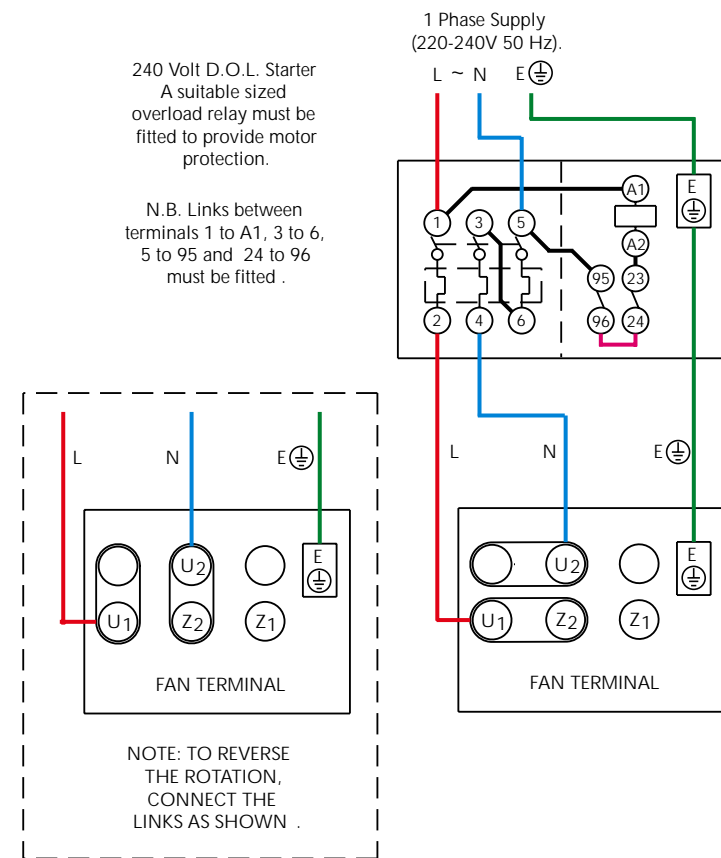


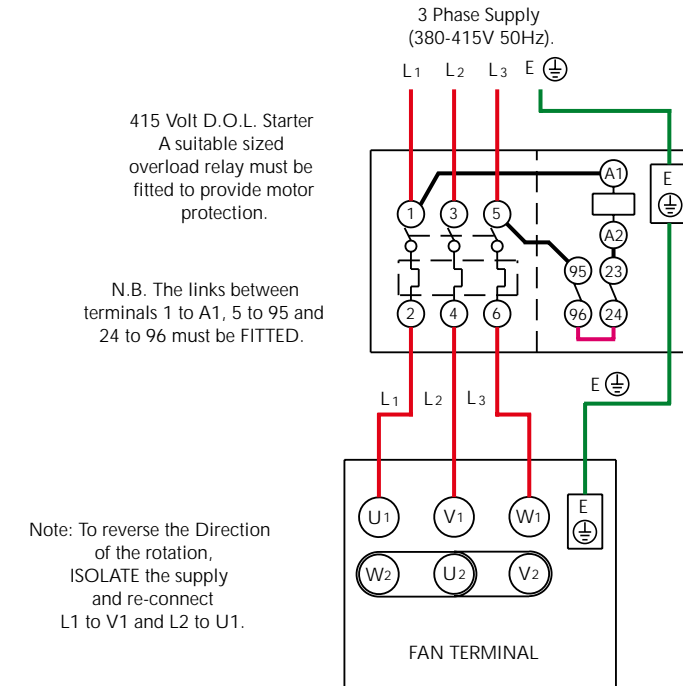
VENT-AXIA HIGH PRESSURE CENTRIFUGAL IN-LINE FANS WIRING DIAGRAMS

SINGLE PHASE FAN CONNECTED TO A D.O.L. STARTER



HIGH PRESSURE CENTRIFUGAL IN-LINE FANS WIRING DIAGRAMS

THREE PHASE FANS UP TO 3 KW CONNECTED TO A 415V COIL D.O.L. STARTER



THREE PHASE FAN CONNECTED TO A 415V COIL STAR / DELTA STARTER

