

Lo-Carbon T-Series Wall Fan

- Long life Lo-Carbon motor lasts twice as long as conventional motors
- Reduces your carbon footprint
- Extract/intake model in 2 sizes: 9" and 12"
- Up to 70% energy saving
- Wired or Wireless fan models available
- Easy fit connector Top Socket, standard on all models



UK's No. 1 Commercial Fan

The Lo-Carbon T-Series Fan range utilises a low energy DC motor, developed to improve performance, lower running costs and maintain T-Series' rugged reliability.

Wall Fan

Lo-Carbon T-Series wall models are designed to fit directly into double brick, solid and cavity walls. The two part telescopic liner accommodates wall thicknesses from 240 to 315mm. For thicker walls additional liner sections are available. Lo-Carbon T-Series wall models are provided with internal and external wall frames which fit flush with both faces of the wall.

Instantaneous Shutter

Lo-Carbon T-Series models are supplied complete with an integral instantaneous automatic louvre shutter which will operate on both intake and extract and at any angle of mounting.

When the fan is used with a Lo-Carbon T-Series controller, the shutter can be set open with the fan motor switched Off to provide natural ventilation without the security risk of an open window.

Electrical

Motor purpose-designed. Suitable for running at any angle. Quiet running. Suitable for operation in ambient temperatures from -40°C to +50°C.

Fitted with self resetting Standard Thermal Overload Protection (S.T.O.P.).

Supply voltage 220-240V/1/50Hz.

Top Socket

A connector Top Socket is standard on all T-Series fans. Allowing fast and trouble-free mains connection.

Models

Complete Fan

Size	Stock Ref
9" Wired	456166
12" Wired	456174
9" Wireless	456170
12" Wireless	456178

Fan Core (excludes Wall Kit)

Size	Stock Ref
9" Wired	472039
12" Wired	472040
9" Wireless	472041
12" Wireless	472042

Wall Kit (excludes Fan Core)

Size	Stock Ref
9" Wired	472043
12" Wired	472044
9" Wireless	472045
12" Wireless	472046

Accessory

Additional Wall Liner Section

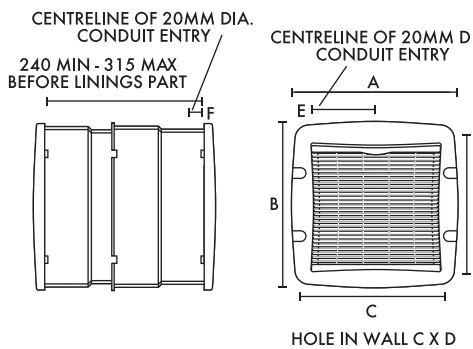
Size	Stock Ref
9"	460096
12"	460086

Controllers



Models	Stock Ref
Wireless	455874
Wired	455873

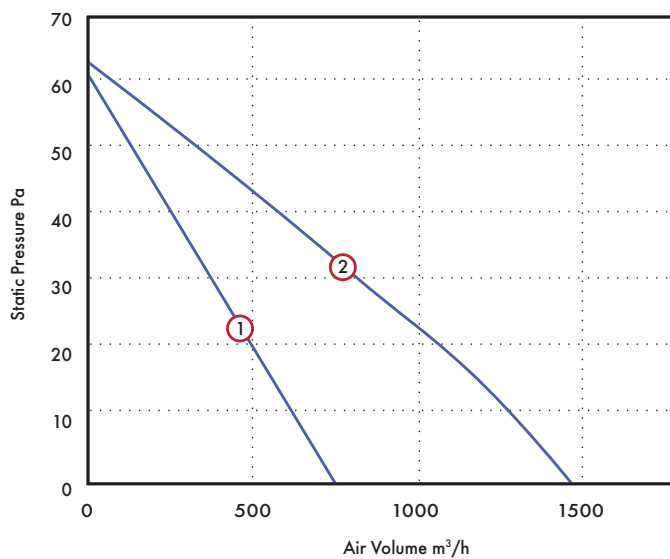
Dimensions (mm)



Size Dim.	9 in	12 in
A	391	470
B	388	467
C	365	442
D	375	450
E	143	182
F	25	25
Weight kg*	7.77	10.86

* Complete product. Controller (W x H x D) 97 x 99 x 32

Performance Guide



Model	Curve	Extract performance m³/h (l/s)			Watts (high)	Sound dB(A) (med) @ 3m	Amps @ 240V
		low	medium	high			
Lo-Carbon 9" Wall - Wireless/Wired	1	326 (90)	562 (160)	732 (210)	27	39	0.31
Lo-Carbon 12" Wall - Wireless/Wired	2	660 (185)	1355 (360)	1650 (430)	68	48	0.70