

Lo-Carbon T-Series® Panel Fan



Features & Benefits

- Reduces your carbon footprint
- Extract / intake model in 2 sizes: 9" and 12"
- Long life Lo-Carbon motor last twice as long as other conventional motors
- Up to 70% energy saving
- Wired or Wireless fan models available
- Easy fit connector Top Socket, standard on all models

UK's No. 1 Commercial Fan

The Lo-Carbon T-Series Fan range utilises a low energy DC motor, developed to improve performance, lower running costs and maintain T-Series' rugged reliability.

Panel Fitting Kit

Lo-Carbon T-Series panel/ceiling models are suitable for mounting at any angle in internal partitions, ceilings, ducts and, with louvre grilles, through external walls. When installed only the louvre grille is visible.

Instantaneous Shutter

With energy saving in mind, Lo-Carbon T-Series models are supplied complete with an integral instantaneous automatic louvre shutter concealed behind the interior grille. With a Lo-Carbon T-Series Controller the fan will operate on both extract and intake, suitable for any angle of mounting. When the fan is used with a Lo-Carbon T-Series controller, the shutter can be set open with the fan motor switched off to provide natural ventilation without the security risk of an open window.

Wireless Control

Every Lo-Carbon T-Series Wireless FM Controller uses unique digital signals to ensure trouble free operation. The controller will transmit through walls and floors allowing complete flexibility of design to

Performance

Model	Curve	Extract performance m³/h (l/s)			Watts (high)	Sound dB(A) (med) @ 3m	Amps @ 240V
		low	medium	high			
Lo-Carbon 9" Window - Wireless/Wired	①	357 (100)	601 (166)	799 (221)	30	41	0.33
Lo-Carbon 12" Window - Wireless/Wired	②	737 (205)	1487 (413)	1761 (490)	67	48	0.70

control fans up to 30m away.

Top Socket

A connector Top Socket is standard on all T-Series fans. Allowing fast and trouble-free mains connection.

Electrical

Suitable for operation in ambient temperatures from -40°C to +50°C.

Fitted with self resetting Standard Thermal Overload Protection (S.T.O.P.).

Supply voltage: 220-240V/1/50Hz.

Easy Cleaning

Integrated component design allows all parts to be dismantled for cleaning without the use of specialist tools.

Models

Complete Fan Model	Stock Ref
9" Wired	456167
12" Wired	456175
9" Wireless	456171
12" Wireless	456179

Fan Core (excludes wired Panel Kit)

Size	Stock Ref
9" Wired	472039
12" Wired	472040
9" Wireless	472041
12" Wireless	472042

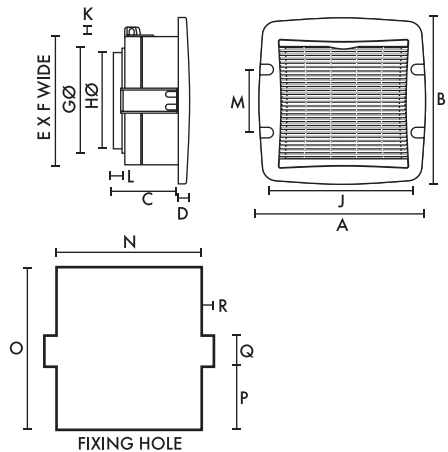
Panel Kit (excludes Fan Core)

Size	Stock Ref
9" Wired	472051
12" Wired	472052
9" Wireless	472053
12" Wireless	472054

Controllers

Models	Stock Ref
Wireless	45874
Wired	45873

Dimensions (mm)



Size	9 in	12 in	Size	9 in	12 in
A	391	470	J	345	422
B	388	467	K	19	19
C	129	152	L	22	22
D	39	41	M	180	180
E	302	378	N	309	386
F	304	381	O	326	402
GØ	255	334	P	126	164
HØ	247	325	Q	55	55

Weight kg*: 9mm - 5.13, 12mm - 7.44

* Complete product
Controller (W x H x D) 97 x 99 x 32

Performance Graph

