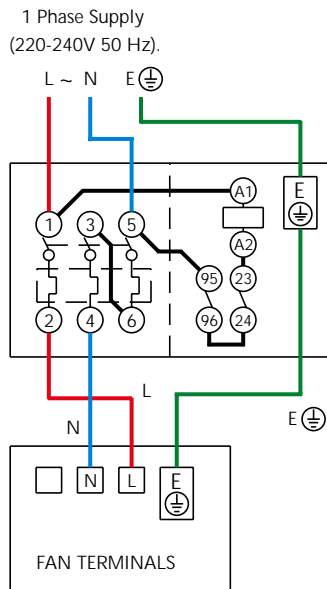


# ACCESS™ PAC IN-LINE FANS WIRING DIAGRAMS

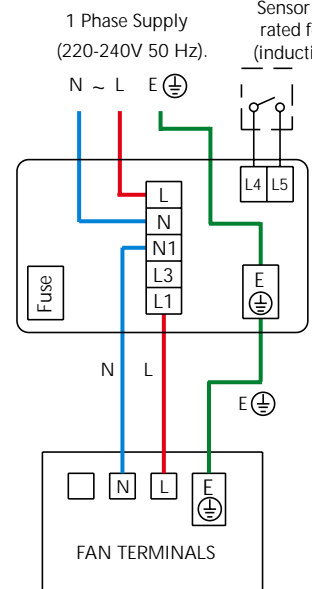
## SINGLE PHASE FAN CONNECTED TO A D.O.L. STARTER



240 Volt D.O.L. Starter  
A suitable sized overload relay must be fitted to provide motor protection.  
N.B. Links between terminals 1 to A1, 3 to 6, 5 to 95 and 24 to 96 must be fitted.

- PAC 100-12
- PAC 125-12
- PAC 150-12
- PAC 200-12
- PAC 250-12
- PAC 315-12

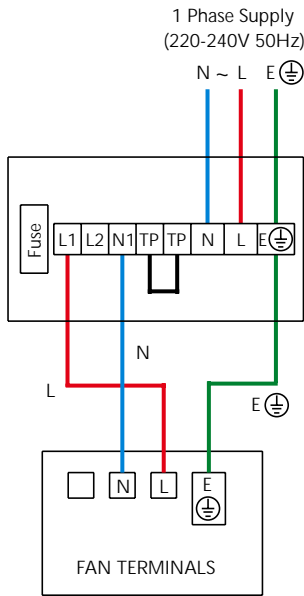
## SINGLE PHASE FAN CONNECTED TO A 2.5 AMP ELECTRONIC SPEED CONTROLLER



2.5 amp Electronic Speed Controller.  
W103 03 102M  
Sensor Switch rated for 2.5A (inductive) min.

- PAC 100-12
- PAC 125-12
- PAC 150-12
- PAC 200-12
- PAC 250-12
- PAC 315-12

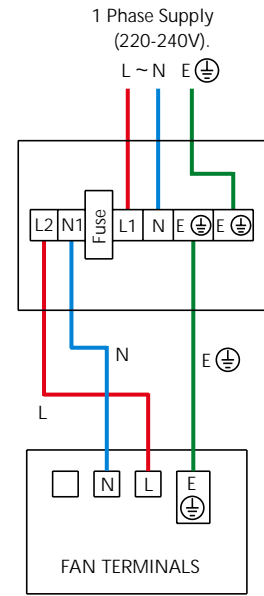
## SINGLE PHASE FAN CONNECTED TO A 3.0 AMP ELECTRONIC SPEED CONTROLLER



1 Phase Electronic Speed Controller  
103 03 103A

- PAC 100-12
- PAC 125-12
- PAC 150-12
- PAC 200-12
- PAC 250-12
- PAC 315-12

## SINGLE PHASE FAN CONNECTED TO A 3.0 AMP AUTO TRANSFORMER SPEED CONTROLLER



1 Phase Auto Transformer Speed Controller.  
103 14 103

- PAC 100-12
- PAC 125-12
- PAC 150-12
- PAC 200-12
- PAC 250-12
- PAC 315-12