

**OPERATION AND
MAINTENANCE
INSTRUCTIONS**

**QUIETPACK TWIN™
IN-LINE TWIN FANS**



ROOF UNITS LIMITED

Blackbrook Road, Narrow Boat Way,
Dudley, West Midlands, DY2 0NB

Tel : (01384) 418670

Fax : (01384) 418681

• **STORAGE / INSTALLATION**

The unit must be stored in clean, dry conditions. DO NOT install these fans in areas where the following may be present:-

- 1) Excessive oil or grease laden atmosphere.
- 2) Corrosive or flammable gases, fluids or vapours.
- 3) Ambient temperatures higher than 50°C (40°C, when speed controlled) and below -15°C.
- 4) Relative humidity above 95%
- 5) Possible obstructions which will hinder removal.
- 6) Sudden ductwork transformations close to the unit.

If the unit is to be stored for a long period of time the fan impeller must be rotated by hand at monthly intervals to prevent hardening of the lubricant and corrosion or static indentation of the bearings.

It is recommended that before installation the resistance to earth should be measured and if found to be less than 2 MΩ the motor should be dried out before applying mains voltage, ensuring compliance with all relevant electrical regulations.

• **IMPORTANT - SAFETY**

All air moving equipment may present electrical, mechanical or noise hazard either during installation or during operation. These instructions are meant to help in the prevention and / or minimisation of these hazards. It is important that due consideration is given to the implementation of these instructions and to due attention being given to applicable statutory requirements.

Potential hazards from rotating parts that can be reached during operation must be eliminated by using appropriate guards meeting statutory requirements.

All electrical installation must be undertaken by a suitably qualified and competent person and must be carried out in accordance with all relevant Statutory Requirements. Please check the details on the unit rating plate to ensure that the correct power supply (Voltage, Frequency, and Phase) is available. Do not use the fans with an incorrect power supply, overheating and failure of the motor will occur.

All fans generate noise during operation. Dependant on the installation sound attenuators or other acoustic treatment may be necessary to achieve acceptable noise levels in the ventilated area or the area surrounding the fan installation. The product catalogues indicate the noise levels generated by the equipment in standard test situations. The installed condition may affect the actual noise levels experienced in operation.

Please note a wide range of accessories for this product are available from Roof Units Limited.

- **GENERAL WIRING**

Warning:- The Fan And Ancillary Control Equipment Must Be Isolated From The Power Supply During Installation And / Or Maintenance. The Equipment Must Be Earthed.

Remove the cover from the fan terminal box. Connect the power supply from the local isolator (via any appropriate controls if fitted) to the terminal box via an appropriate cable gland. Refer to the wiring diagrams and select the appropriate connections for the fan, controller or other devices as being installed. Ensure that all earth connections have been made.

After completing and checking the connections to the terminal box replace the lid ensuring that it is correctly seated in place. Ensure that all cable gland / grommet fixings and terminal box lid fixings are tightened correctly to prevent water ingress.

Fuses in the circuit should be regarded as only protecting the wiring against short circuits or earth faults; they are not suitable for overload protection. Fuse ratings must be able to carry starting loads which can be taken as a maximum of six times the running current for 25 seconds.

Please refer to individual controller operation and maintenance instructions for details of how to integrate the twin fans in the system.

- **CHECK LIST**

- 1) Are all links and wiring complete (refer to wiring diagrams)?
- 2) Are all fixings secured?
- 3) Are all relevant guards fitted?
- 4) Are all protective circuit devices fitted and wired correctly?
- 5) Are all terminal box covers and gland fittings secure?
- 6) Are all earth connections secured?
- 7) Check that no hazard exists for persons in the locality of the fan. Check that the fan rotation is correct as per the direction arrows on the fan plate / casing. If not isolate power supply and check wiring.
- 8) Check that the current (amps) taken by the fan does not exceed the current shown on the rating plate.

- **MOUNTING**

We recommend that when mounting these units support angle (not supplied by Roof Units Limited) is used in conjunction with anti vibration mounts etc. Ensure not to misalign the ducts, when fitting flexible connectors etc.

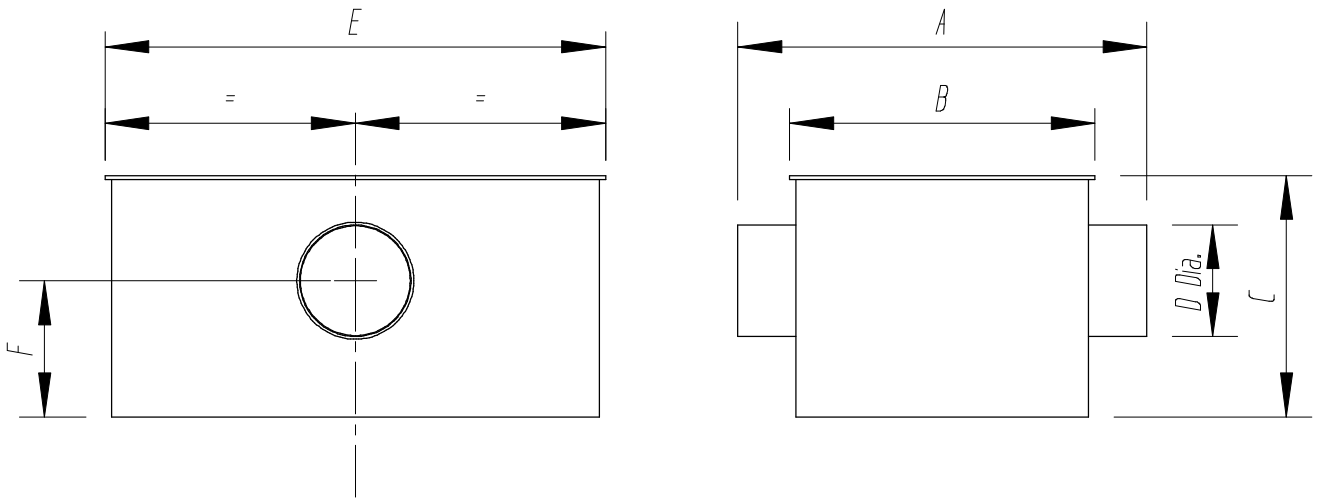
Please Note:- This unit can be mounted horizontally or vertically.

- **RESPONSIBILITY**

Roof Units Limited, as suppliers of the equipment cannot be responsible for the final installation and electrical connection of the product on site. We have made reasonable effort to offer guidance and assistance but the installer and electrical contractor on site have a responsibility for ensuring the equipment is safely and securely installed and electrically / mechanically safe in accordance with statutory requirements.

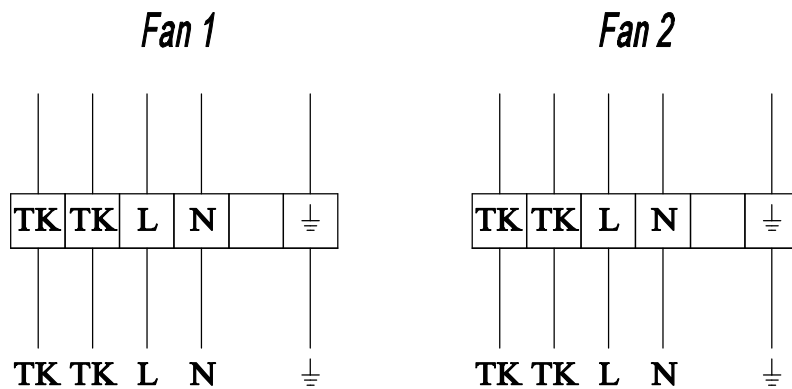
The fans are supplied as a component to be incorporated into a ventilation system. The final complete system installation that includes the fans **MUST** meet all relevant directives.

QPTW ARRANGEMENT.



Unit Size	A	B	C	D	E	F	Weight (kg)
QPTW 125S	450	350	330	125	480	165	23
QPTW 125H	450	350	330	125	480	165	23
QPTW 160	450	350	330	160	480	165	25
QPTW 200	500	400	385	200	570	192	36
QPTW 250	600	500	450	250	690	225	46
QPTW 315	670	570	505	315	920	252	64
QPTW 500	980	880	655	500	1000	330	130

QPTW WIRING DETAIL.



230V, 1Ph, 50Hz.

These products must be installed by a qualified and competent person, in accordance with current applicable regulations.

- **INSPECTION**

These pieces of equipment require maintenance, cleaning and inspection, therefore allow reasonable access for these operations to be carried out by a suitably qualified person safely.

ISOLATE FROM POWER SUPPLY AND ENSURE POWER CANNOT BE RE-CONNECTED BEFORE ANY WORK IS CARRIED OUT.

It is recommended that the fan be inspected after three months or sooner if conditions dictate. If a build up of dirt/deposits is evident then this should be carefully cleaned off. Please take care not to damage the fan or affect the balance of the impeller motor assembly (balance weights may be fitted to the impeller).

Further inspections should be carried periodically as necessary dependant on experience and site conditions. It is recommended that a minimum of two inspections per year be carried out.

The fan motors are fitted with “sealed for life” bearings and, under normal circumstances, should not require maintenance.

Roof Units Limited Guarantee

Roof Units will, free of charge, within a period of 1 year from the date of dispatch from their works repair or at its option replace any fan which are proved to their reasonable satisfaction to be defective in material or workmanship unless:-

- 1) The goods have been altered in any way
- 2) The goods have been improperly installed or connected or
- 3) The buyer has failed to notify Roof Units of any defect or suspected defect within 14 days of the same coming to the knowledge of the buyer.
- 4) Any goods replaced will belong to Roof Units. Any repaired or replacement goods will be guaranteed on these terms for the unexpired portion of the 1 year period.
- 5) Otherwise subject to our standard terms and conditions.

The goods returned to Roof Units works carriage paid to enable examination, repair or replacement.

Roof Units Limited reserves the right to alter specification without notice.



ROOF UNITS LIMITED

Blackbrook Road, Narrow Boat Way,
Dudley, West Midlands, DY2 0NB

Tel : (01384) 418670

Fax : (01384) 418681

84QPTW-INST

Revision 'A', 20/07/01.