

**VENT-AXIA LUMINAIR TURBO SHOWER KIT: FITTING AND WIRING INSTRUCTIONS**

PLEASE READ ALL INSTRUCTIONS CAREFULLY BEFORE STARTING INSTALLATION

**1. GENERAL**

Unpack taking care to note the product model reference on the outside of the carton.

**2. SAFETY**

Vent Light must be installed with Turbo fan supplied to provide a minimum airflow of 15l/s (54m<sup>3</sup>/hr) when the light is illuminated. Vent Light operates at 12V AC provided by the Safety Isolating transformer supplied. Transformer is connected to a mains supply. Do not connect more than one Vent Light unit to the transformer supplied.

Turbo Fan is connected to a mains supply (220-240V/50Hz). **ONLY CONNECT TOGETHER THE PRODUCTS SUPPLIED IN THE LUMINAIR TURBO SHOWER KIT AS THESE ARE NOT COMPATIBLE WITH OTHER VENT-AXIA CONTROLLERS.** Ensure that the mains supply is disconnected before making any electrical connections. All electrical connections should be made by a properly qualified electrician. The fitting and installation MUST comply with current IEE Regulations, BS7671 (U.K.) or the appropriate standards in your country.

When the Turbo Shower Kit is used to remove air from a room containing a fuel burning appliance, the installer must ensure that air replacement is adequate for both the fan and the fuel burning appliance. Where ducted fans, such as the Turbo fan, are used to handle moisture laden air ducting should be arranged to slope slightly downwards away from the fan. All regulations and requirements MUST be strictly followed to prevent hazard to life and property, both during and after installation.

**3. SITTING THE LUMINAIR VENT LIGHT**

Loosen the two screws on the Lamp Housing until the Securing Clamps allow sufficient clearance to accommodate the ceiling until the Securing Clamps allow sufficient clearance to accommodate the ceiling thickness. Position the Securing Clamps against the Lamp Housing and fit the LuminAir Vent Light through the hole. Retighten the screws to clamp the Vent Light in place. As an alternative the unit may be held in place with plugs and fixing screws, using the fixing holes provided. Connect the Vent Light to the inlet of the Turbo fan using flexible ducting and duct ties. Always ensure that the duct is fully extended for maximum performance and that unnecessary duct is cut off.

Fit the Bezel to the Lamp Housing.

Site away from direct sources of heat. Do not sit in areas containing excessive levels of grease. If the LuminAir Vent Light is installed in a room containing a fuel burning appliance the installer must ensure that air replacement is adequate for both the fan and the fuel burning appliance.

**6. WIRING THE LUMINAIR VENT LIGHT AND TRANSFORMER**

Plan the installation carefully, taking into consideration the important points noted, before securely mounting the fan using appropriate screws.

Make the appropriate electrical connections to the Turbo fan as shown in figs. 1 or 2.

From the outside cut a 110mm hole in the soffit and secure the soffit grille using the screws provided. Extend the ductwork provided between the soffit grille and the outlet of the Turbo fan again securing with the duct ties provided.

**TIMER ADJUSTMENT (LUMINAIR T TURBO SHOWER KIT MODELS ONLY)**


The electronic timer fitted to the LuminAir T is triggered automatically when the Turbo fan unit is switched on by means of a remote switch eg. a light switch. The fan will run for an adjustable preset period (between 3 and 25 minutes) after the lamp is turned off via the remote switch. The timer is factory preset at approximately 15 minutes.

**BEFORE ADJUSTING TIMER ISOLATE TURBO FAN UNIT FROM MAINS SUPPLY**

Using a small screwdriver turn the adjuster clockwise to increase or anti-clockwise to decrease the over-run period.

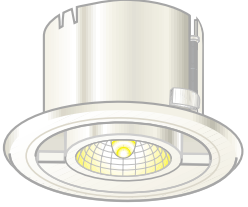
Make the appropriate electrical connections as shown in fig. 1 or 2. Surface wiring, must be securely clipped to the mounting surface close to the transformer.

The fan is suitable for mounting at any angle using the mounting bracket as fitted.

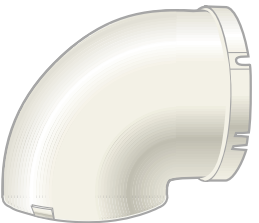


# LuminAir TURBO SHOWER VENTILATION

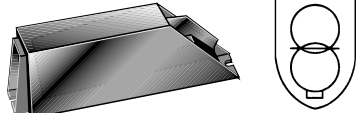
## FITTING AND WIRING INSTRUCTIONS




● SELV LuminAir Vent Light with Dichroic bulb



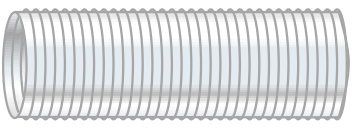
● LuminAir Bend



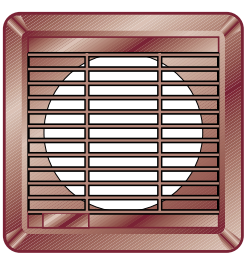
● Transformer (concealed above the ceiling)



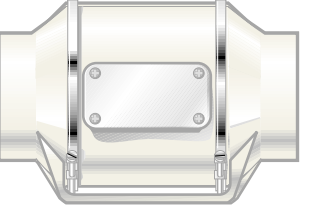
● 4 Duct Ties




● 6 metres of Flexible Ducting



● Soffit Grille



● Mains operated Turbo fan for optimum extract performance



● Necessary fixings

**Supply voltage to transformer and Turbo Fan 220-240V/50Hz.**  
**Output to Vent Light fan from transformer 12V SELV/1/50Hz.**

**VENT-AXIA CONTACT NUMBERS  
UK NATIONAL SALES CENTRE**

<b>Domestic &amp; Commercial</b>	<b>Industrial</b>
Tel: 01293 530202	Tel: 01293 441570
Fax: 01293 565169	Fax: 01293 534898

**REPUBLIC OF IRELAND**  
 Vent-Axia Ventilation Ltd  
 921 Western Industrial Estate,  
 Naas Road, Dublin 12  
 Tel: (01) 450 4133  
 Fax: (01) 450 4570

**VENT-AXIA CONTACT NUMBERS  
UK NATIONAL SALES CENTRE**

<b>Domestic &amp; Commercial</b>	<b>Industrial</b>
Tel: 01293 526062	Tel: 01293 455196
Fax: 01293 551188	Fax: 01293 455197

**The Vent-Axia Guarantee**

Applicable only to products installed and used in the United Kingdom. For details of guarantee outside the United Kingdom contact your local supplier.

Vent-Axia Limited guarantees its products for two years from the date of purchase against faulty materials or workmanship. In the event of any part found to be defective, the product will be repaired, or at the Company's option replaced, without charge, provided that the product:

1. has been installed and used in accordance with the instructions given with each unit.
2. has not been connected to an unsuitable electricity supply. (The correct electricity supply voltage is shown on the product rating label attached to the unit).
3. has not been subjected to misuse, neglect or damage.
4. has not been modified or repaired by any person not authorised by the company.

**IF CLAIMING UNDER TERMS OF GUARANTEE**

Please return the complete product, carriage paid to your original supplier or nearest Vent-Axia Centre, by post or personal visit. Please ensure that it is adequately packed and accompanied by a letter clearly marked 'Guarantee Claim' stating the nature of the fault and providing evidence of date and source of purchase.

This guarantee is offered to you as an extra benefit, and does not affect your legal rights.

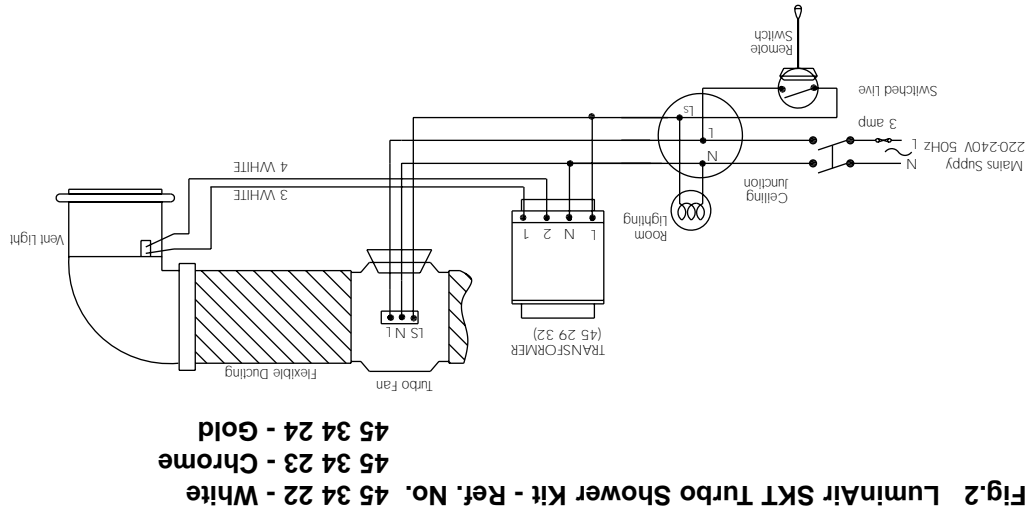
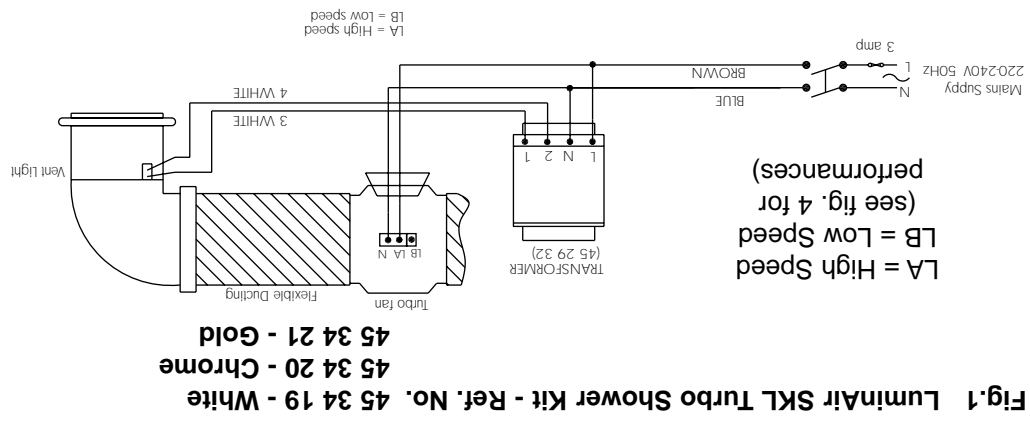
As part of the policy of continuous product improvement Vent-Axia reserves the right to alter specifications without notice.



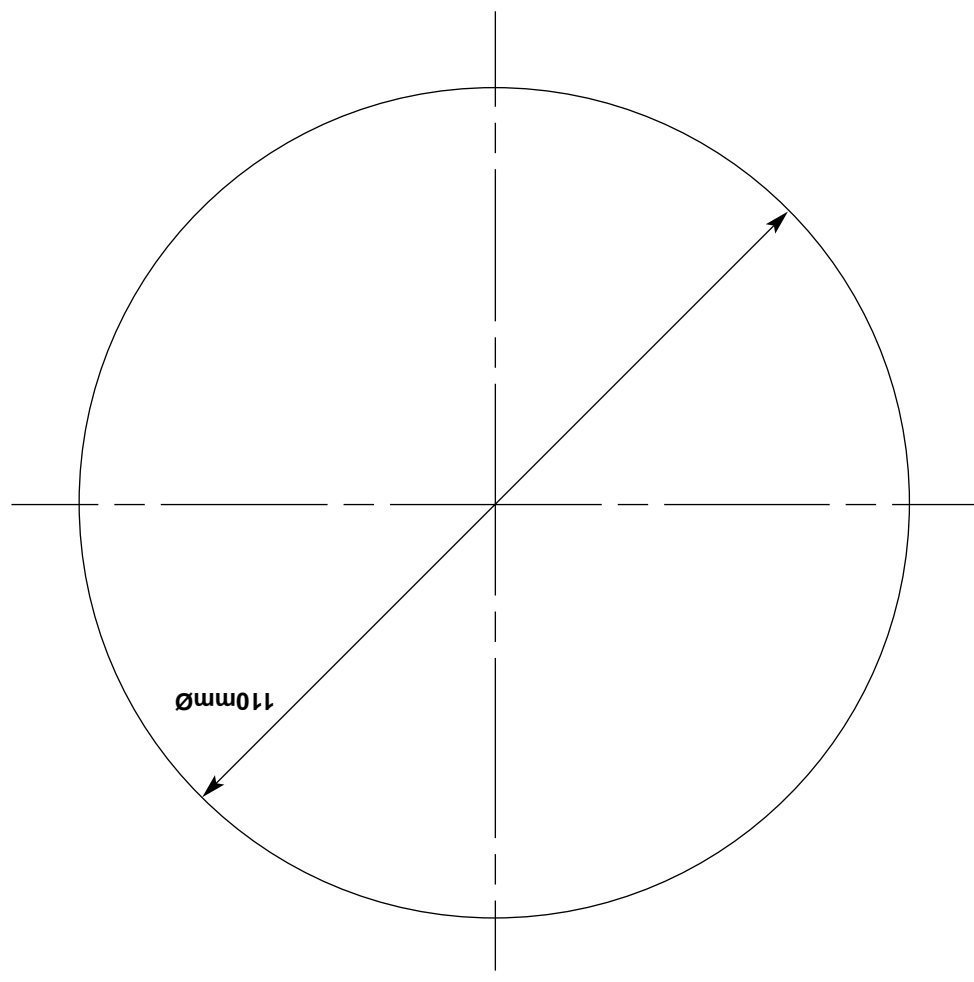
**Vent-Axia Ltd**  
**Head Office:** Fleming Way, Crawley, West Sussex RH10 9YX  
 Tel: 01293 526062 Fax: 01293 551188



**10. WIRING DIAGRAMS**

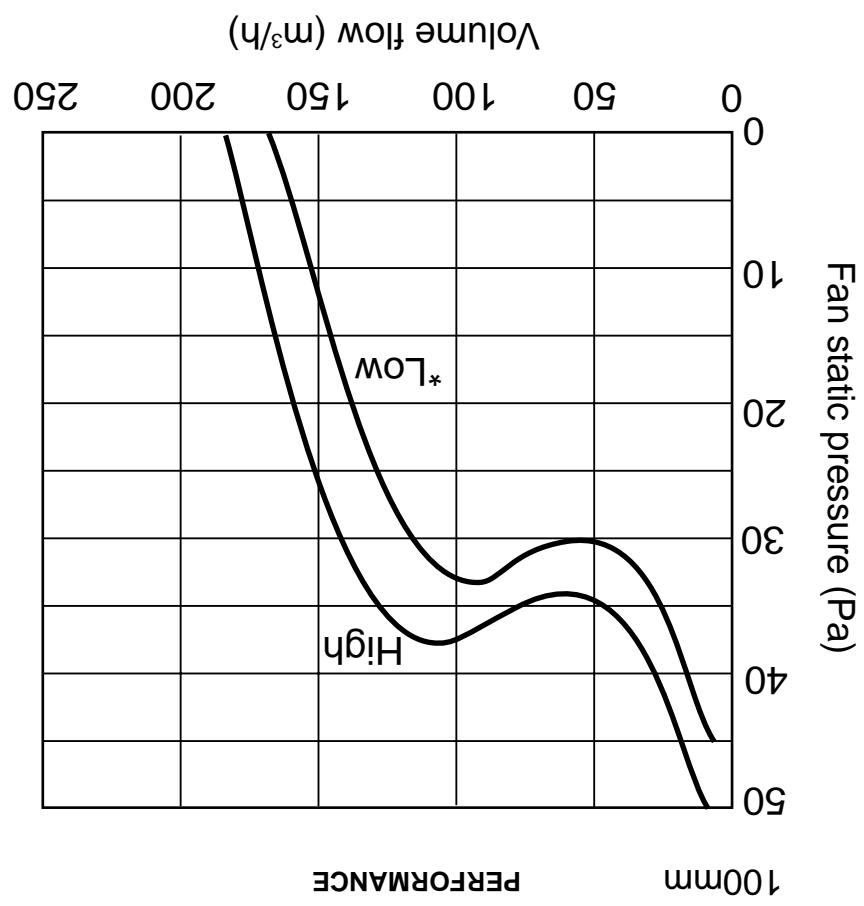
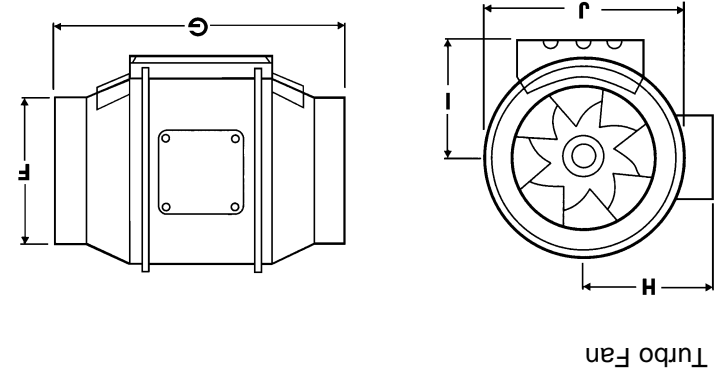
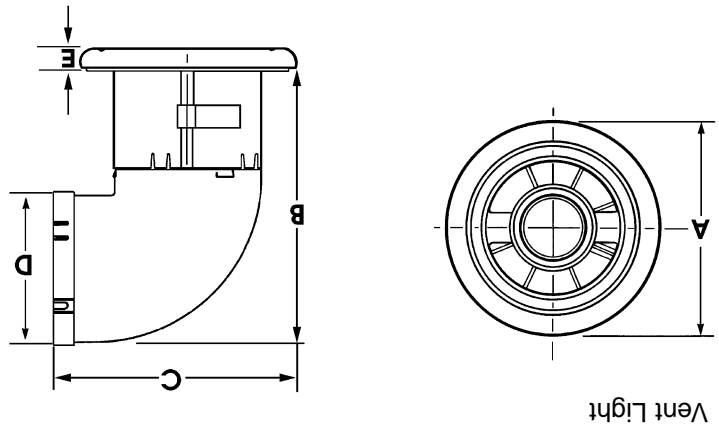


**TEMPLATE FOR MOUNTING VENT-AXIA LUMINAIR**  
 Mounting holes 130mm dia. centres



**fig. 3 DIMENSIONS**

A	B	C	D	E	F	G	H	I	J
mm	150	180	165	103	12	100	232	98	82
	150	180	165	103	12	100	232	98	82



**fig. 4 TURBO FAN**