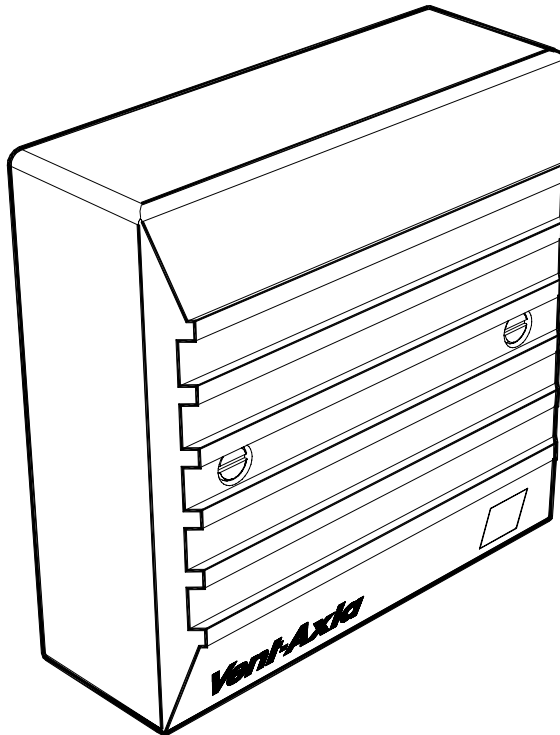


Vent-Axia®

Ambient Response SELV 12 Humidity Sensor

Fitting & Wiring Instructions



OPERATING RANGE: +5°C TO +40°C, UP TO 90% RH
SUPPLY: 12V~50Hz SELV
MAXIMUM LOAD: 12V~50Hz SELV 5.6A

Stock Ref:- 56 35 51A

READ INSTRUCTIONS IN CONJUNCTION WITH ILLUSTRATIONS
READ AND SAVE THESE INSTRUCTIONS



PLEASE READ ALL INSTRUCTIONS CAREFULLY BEFORE INSTALLATION

OPERATION

This sensor is designed to respond to the severity of moisture generating activity as well as the ambient humidity and then to switch on an extract fan.

The pullcord will override the RH control and switch the fan to run continuously. The pullcord should be pulled again to return the sensor to the automatic mode activated by the Humidity sensor. There is no permanent "OFF" position.

Note to the installer and end user.

When power is first applied to the sensor, it will switch the fan on for approximately 2 seconds to indicate power is connected. If the fan remains switched on for more than 10 seconds, the pullcord should be pulled once to check that the sensor is not in override mode. (LED would go out).

The LED ON indicates that the Humidity sensor is in manual override mode.

After initial start up the Humidity sensor will take approximately 1 minute to acclimatise to the local environment before entering its operational state.

SITING

- This sensor is not suitable for installation in a shower cubicle or enclosure where water droplets can cause damage to the sensing element.
- Site the sensor on a wall away from direct sources of heat and out of direct sunlight. Do not site directly above a cooker or in an area where excessive heat, smoke or grease is present as this may affect the accurate working of the Humidity sensor.
- Site the sensor away from the fan, on an inside wall between the major moisture sources and the door to the other rooms of the home, at about 100mm (4") below the ceiling and preferably in direct sight of the fan ie, not in a dead spot hidden behind or above a cupboard.

FITTING

The Humidity sensor is designed for fitting onto any British single-gang outlet boxes, either surface or recessed; which have a minimum depth of 20mm. A Vent-Axia surface mounting box (stock ref. no. 410020) is available.

WIRING

Warning

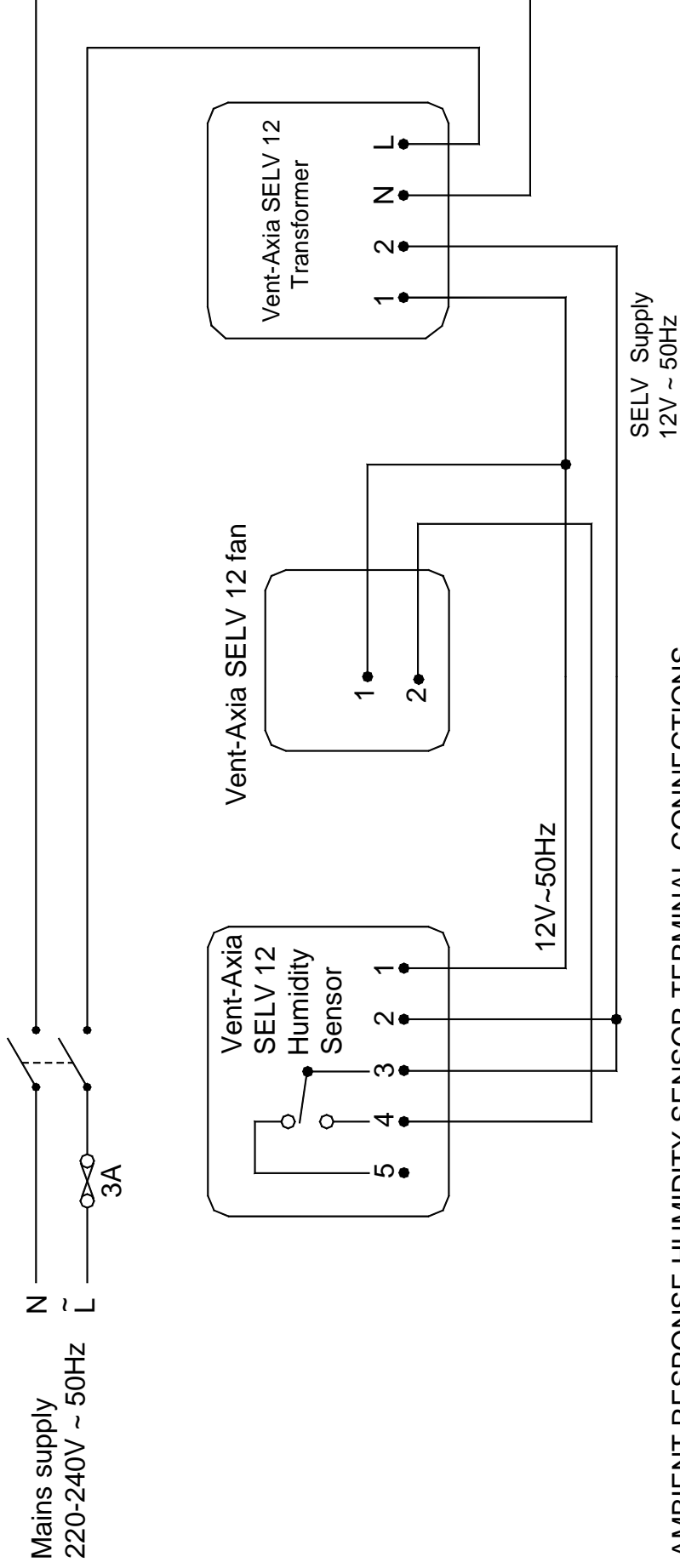
- Switch off mains before proceeding with wiring.
- Ensure mains supply is correct and the load does not exceed sensor rating.
- The sensor (and any appliance) must be installed in accordance with IEE regulations (BS7671) in the UK or the appropriate standards in your country.
- The sensor is a Class III SELV product and MUST NOT be earthed. It must be connected to a 12V ~ 50Hz SELV power supply which can also provide power for a Vent-Axia SELV 12 fan.

Mains wiring to the transformer should be via a switched spur fitted with a 3 amp fuse (UK). The installation MUST be provided with a double pole switch with contact separation of at least 3mm. The switch should be located outside the room if it contains a fixed bath or shower, or in accordance with mandatory wiring and safety regulations.

The SELV wiring MUST be with mains voltage rated; non-metallic sheathed cable. The SELV wiring should be physically separated and insulated from the mains supply or other cabling. Cut the outer sheathing back as little as possible so that the insulating sheath almost reaches the terminal block. 1.5mm² wire is recommended for total cable length up to 2.5m at 5.6A.

EXAMPLE WIRING CONNECTIONS

Fan on when relay energised by rise in relative humidity or manual override, Off otherwise



AMBIENT RESPONSE HUMIDITY SENSOR TERMINAL CONNECTIONS

1. SELV 12V ~ 50Hz supply
2. SELV 12V ~ 50Hz supply
3. Relay common contact
4. Relay normally open contact (Closed for rise in relative humidity or manual override)
5. Relay normally closed contact (Open for rise in relative humidity or manual override)

**VENT-AXIA CONTACT NUMBERS
UK NATIONAL SALES CENTRE**

Domestic & Commercial

Tele: 01293 530202

Fax: 01293 565169

Industrial

Tele: 01293 441570

Fax: 01293 534898

REPUBLIC OF IRELAND

Vent-Axia Ventilation Ltd.

Tele: (01) 450 4133 Fax: (01) 450 4570

UK NATIONAL TECHNICAL SUPPORT

Domestic & Commercial

Tele: 01293 526062

Fax: 01293 551188

Industrial

Tele: 01293 455196

Fax: 01293 455197

Internet site at: www.vent-axia.com

Email: info@vent-axia.com

The Vent-Axia Guarantee

Applicable only to products installed and used in the United Kingdom. For details of the Guarantee outside of the United Kingdom contact your local supplier.

Vent-Axia guarantees this product for two years from the date of purchase against faulty material or workmanship. In the event of any part being found to be defective, the product will be repaired, or at the Company's discretion the product will be replaced without charge, provided that the product:

- 1). Has been installed and used in accordance with the instruction given with each unit.
- 2). The electricity supply complies with the rating label.
- 3). Has not been misused, neglected or damaged.
- 4). Has not been modified or repaired by any person not authorized to do so by Vent-Axia.

IF CLAIMING UNDER THE TERMS OF THE GUARANTEE

Please return the complete product, carriage paid to your original supplier by post or in person. Please ensure that it is adequately packed and accompanied by a letter clearly marked 'Guarantee Claim' stating the nature of the fault and providing proof of the date and source of purchase.

As part of the policy of continuous product improvement
Vent-Axia reserve the right to alter specifications without notice

Vent-Axia®