

# Vent-Axia®

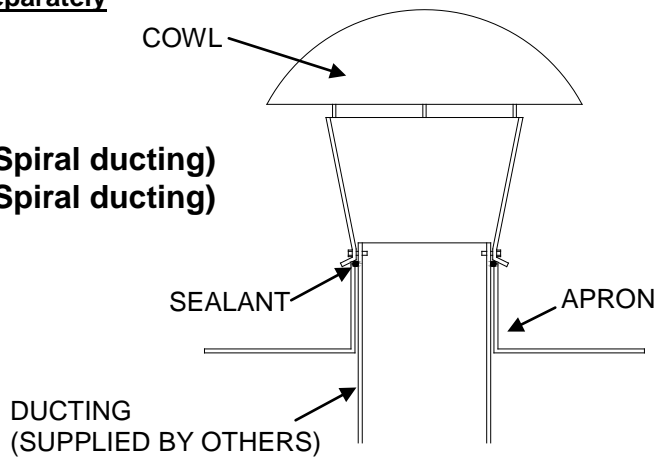
## Unitex Roof Cowl System Fitting instruction Sheet

The Unitex Roof Cowl System greatly simplifies the roof termination of mechanical ventilation systems. Consisting of an attractive epoxy finished cowl with a lead weather apron **WA160** or **WA200** and a range of direct connection reducing fittings. **OR16012** (125mm TO 160mm) & **OR25020** (200mm TO 250mm)  
It is suitable for connection to spiral ducting, soil pipe and flexible duct from 125mm to 250mm diameter.

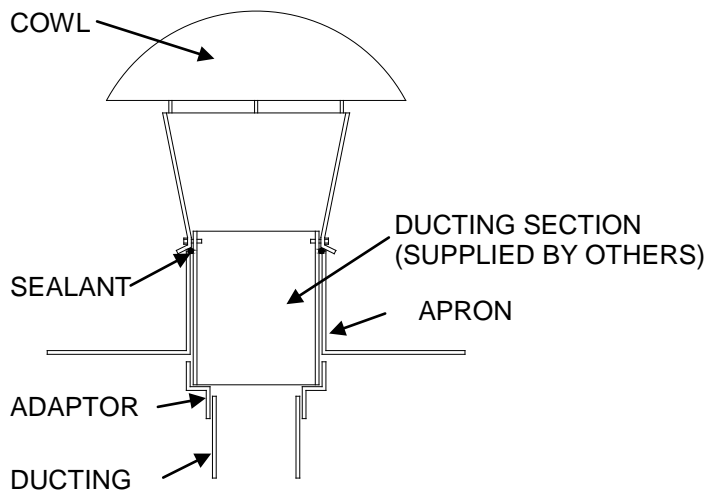
### Typical Installations.

#### Ducting supplied separately

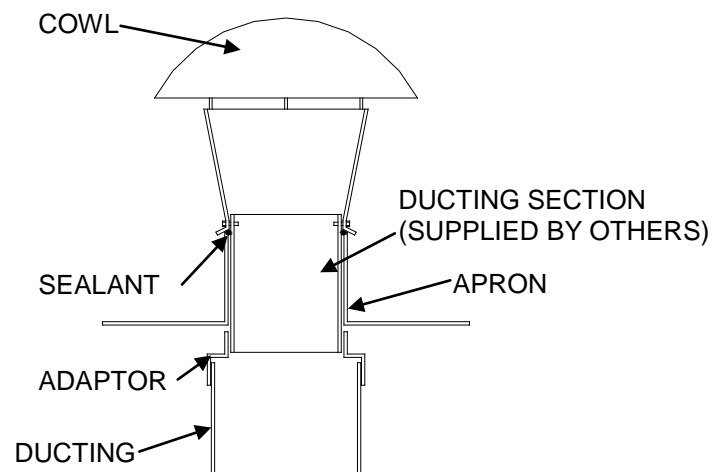
**WB160 (150mm Spiral ducting)**  
**WB200 (200mm Spiral ducting)**



**WB160 with 125mm connection**  
**Using adaptor OR16012**



**WB200 with 250mm connection**  
**Using adaptor OR25020**



Head Office: Fleming Way, Crawley, West Sussex, RH10 9YX. Tel: 01293 526062 Fax: 01293 551188

**UK NATIONAL CALL CENTRE, Newton Road, Crawley, West Sussex, RH10 9JA**

SALES ENQUIRIES:  
TECHNICAL SUPPORT:  
Web:-[www.vent-axia.com](http://www.vent-axia.com)

Email:- [info@vent-axia.com](mailto:info@vent-axia.com)

Tel: 0844 8560590 Fax: 01293 565169  
Tel: 0844 8560594 Fax: 01293 539209

As part of the policy of continuous product improvement Vent-Axia reserves the right to alter specifications without notice.