

Vent-Axia®

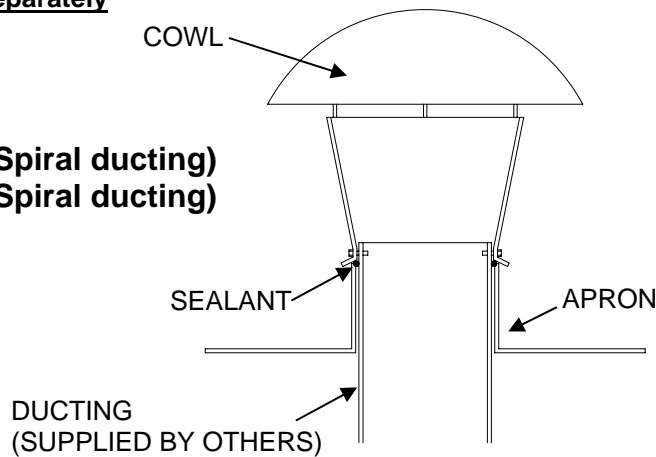
Unitex Roof Cowl System Fitting instruction Sheet

The Unitex Roof Cowl System greatly simplifies the roof termination of mechanical ventilation systems. Consisting of an attractive epoxy finished cowl with a lead weather apron **WA160** or **WA200** and a range of direct connection reducing fittings. **OR16012** (125mm TO 160mm) & **OR25020** (200mm TO 250mm)
It is suitable for connection to spiral ducting, soil pipe and flexible duct from 125mm to 250mm diameter.

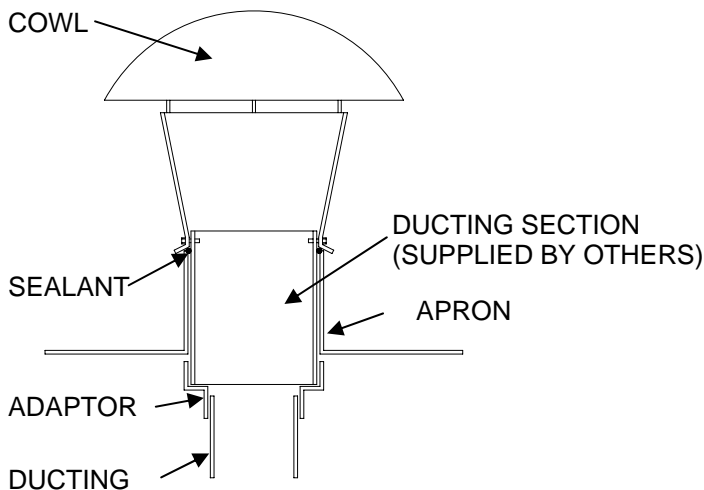
Typical Installations.

Ducting supplied separately

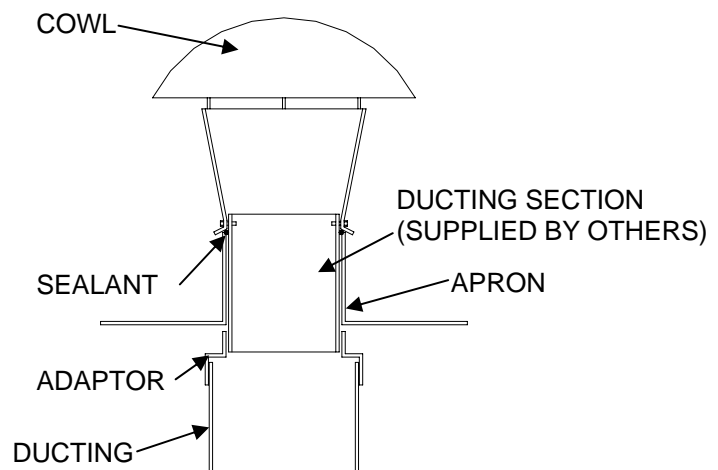
WB160 (150mm Spiral ducting)
WB200 (200mm Spiral ducting)



WB160 with 125mm connection
Using adaptor OR16012



WB200 with 250mm connection
Using adaptor OR25020



Head Office: Fleming Way, Crawley, West Sussex, RH10 9YX. Tel: 01293 526062 Fax: 01293 551188

UK NATIONAL CALL CENTRE, Newton Road, Crawley, West Sussex, RH10 9JA

SALES ENQUIRIES:
TECHNICAL SUPPORT:
Web:-www.vent-axia.com

Email:- info@vent-axia.com

Tel: 0844 8560590 Fax: 01293 565169
Tel: 0844 8560594 Fax: 01293 539209

As part of the policy of continuous product improvement Vent-Axia reserves the right to alter specifications without notice.