

FITTING THE DUCTING

Note:- Make sure wherever possible to keep the ducting runs as straight as possible this will improve the performance of the fan.

Stretch and cut the ducting to fit between the Inlet grille/Fan/Outlet grille. Ensure the flexible ducting is pushed fully into the spigots before securing the flexible ducting using the duct ties provided.

Check the Fan functions properly.

Note: *Ensure that the Fan and grilles are securely fastened.*

TIMER ADJUSTMENT

BEFORE ADJUSTING THE TIMER, ISOLATE THE MAINS SUPPLY

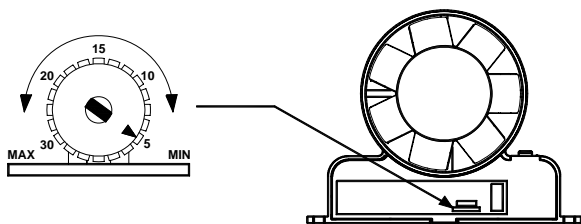
Remove the fan cover and retain the screws.

Rotate the thumbwheel clockwise to decrease the overrun time required (Fig.4)

Rotate the thumbwheel anti-clockwise to increase the overrun time required. (Fig.4)

Once required time is set replace cover with the two screws and check fan operation.

Fig.4



MAINTENANCE

Disconnect the power supply

The inlet grille can be removed and cleaned with a cloth.

The outlet grille and inline fan can be cleaned with a cloth.

It is recommended to check the electrical connections annually.



439342A

Supplied by APL



0908

SHOWER VENTILATION KIT Installation and Wiring Instructions

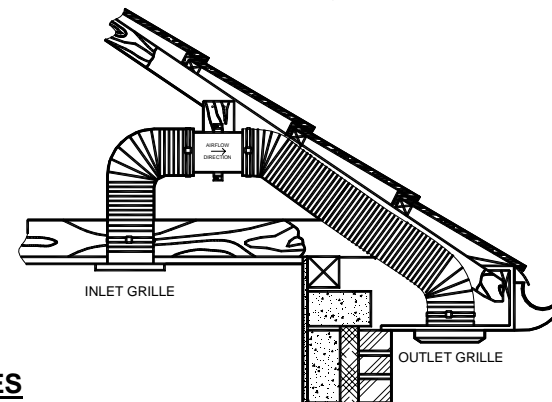


Fig.1

SAFETY NOTES

DO NOT install this Fan in areas where the following may be present or occur: -

- Excessive oil or grease laden atmosphere.
- Corrosive or flammable gases, liquids or vapours.
- Ambient temperatures higher than 40°C or less than -5°C.
- Possible obstructions, which will hinder the access or removal of the fan.
- Sudden ductwork bends and transformations close to the fan.

1. All wiring to be in accordance with the current I.E.E Regulations, or the appropriate standards of your country and MUST be installed by a suitably qualified person.
2. The fan should be provided with a fused, isolator switch capable of disconnecting all poles, having a contact separation of at least 3mm.
3. Ensure that the mains supply (voltage, frequency, and phase) complies with the fan's rating label.
4. When the fan is used to remove air from a room containing a fuel-burning appliance, ensure that the air replacement is adequate for both the fan and the fuel-burning appliance.
5. The fan should not be used where it is liable to be subjected to direct water spray.
6. The fan should be mounted at the highest point in the system to protect it from condensation build up.
7. This appliance is not intended for use by persons (including children) with reduced physical, sensory or mental capabilities, or lack of experience and knowledge, unless they have been given supervision or instruction concerning use of the appliance by a person responsible for their safety.
8. Children should be supervised to ensure that they do not play with the appliance.

TIMER MODEL-PLEASE NOTE: Some older fluorescent and low energy lighting products can interfere with other electronic/timing circuits. For reliable operation of timer models use post 2000 low energy bulbs or tungsten filament bulbs in the room lighting circuit.

INSTALLATION OF THE SHOWER KIT

General Notes:

The Fan should be installed horizontally, as shown in Fig. 1, using the fan mounting base to secure into a suitable position.

The flexible ducting should be installed with a fall away from the fan unit.

Where the flexible ducting on the discharge side of the fan slopes upwards it is recommended that a condensation trap be installed. Consult your supplier for further guidance.

Where the flexible ducting passes through an unheated roof void, the flexible duct should be insulated to minimise condensation in the duct.

INSTALLATION OF THE INLET GRILLE

Cut a 102mm hole in the ceiling between the joists, once the inlet grille position has been determined. Hold the body of the grille against the ceiling and mark the four screw holes.

SITTING THE FAN AND OUTLET GRILLE

Position the fan at the highest point on the system (see Fig.1 for guidance), so the flexible ducting can slope from the fan down to both the inlet grille and the outlet grille when fitted. Fix the fan into position, using the two fixing slots in the base, to a suitable support using the woodscrews provided. It should be positioned so that the mains cable is pointing downwards and the airflow arrow is pointing towards the outlet grille.

The outlet grille provided can be installed through a soffit as shown in Fig.1 or alternatively in a wall.

WIRING

Warning: The fan and ancillary control equipment MUST be isolated from the power supply during installation or whilst maintenance work is carried out.

INLINE FAN STANDARD - WIRING DETAILS

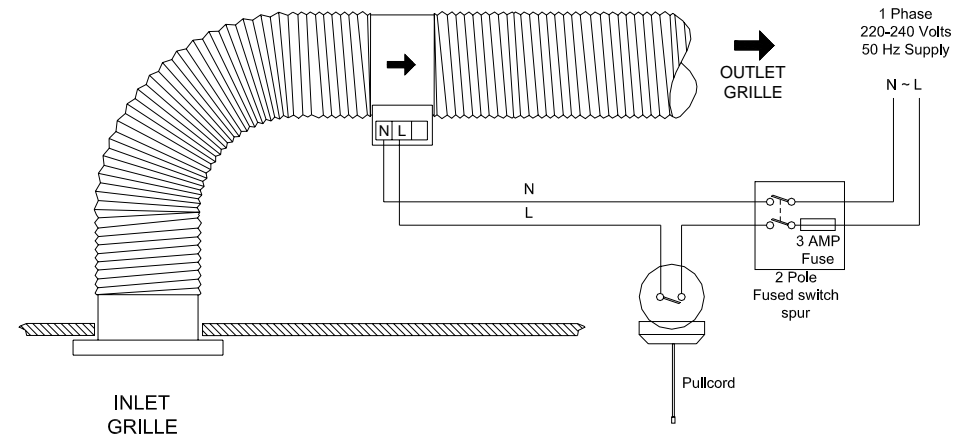
Remove the cover on the fan bracket and retain the screws

IMPORTANT: Fit the blind cable grommet in the cable entry hole and carefully pierce with a 4mm diameter bradle or screw driver. Push the supply cable through the grommet leave enough cable to make the electrical connections, secure the cable with the cable grip provided.

Refer to Fig.2 for a standard fan controlled by remote switch or an automatic sensor.

A double pole fused spur having a contact separation of at least 3mm must be fitted and sited outside of the bathroom/shower cubicle.

Fig.2



INLINE FAN WITH OVERRUN TIMER - WIRING DETAILS

Remove cover and fit grommet as described for the standard inline fan.

Refer to Fig.3 for the wiring details. When the light is switched ON the fan will operate and continue to run for a pre-set time after the switch is turned OFF. The over-run timer is factory set at approximately 15 minutes, but can be adjusted between 1 and 30 minutes (Fig.4)

A triple pole isolator must be fitted and sited outside of the bathroom/shower cubicle.

Connect the mains power supply to the Fan.

Fig.3

