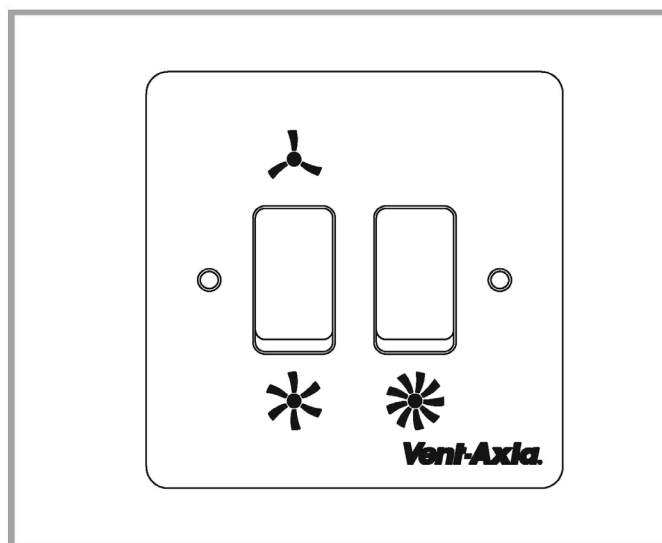


Normal Boost Purge Switch

Fitting & Wiring Instructions



Stock Ref.

5108454 Normal boost
Purge Switch

10A ~ 250V

Vent-Axia[®]

CE

PLEASE RETAIN THESE INSTRUCTIONS WITH THE PRODUCT.



**IMPORTANT:
READ THESE INSTRUCTIONS BEFORE COMMENCING THE INSTALLATION**

OPERATION

The switch allows the user to select between Normal boost and Purge speeds.



SITING

The Switch must not be installed in a shower cubicle or enclosure. It must be sited away from direct sources of water spray and out of reach of a person using a fixed bath or shower.

Ambient temperature range: 0 to 40°C. Site away from direct sources of heat. Do not site above a radiator or other heat source.

FITTING

The Normal Boost Purge switch is designed to fit any UK single back box with a minimum depth of 20mm. Fixing centres 60.3mm. A surface mounting box is available (Vent-Axia Ref. 410020).

WIRING

WARNING: For your safety please ensure that the mains supply is isolated before making electrical connections. The Switch MUST be connected to a 220-240V 50Hz AC single phase mains supply.

WARNING: The Normal Boost Purge Switch MUST NOT be earthed. It is Class II double insulated. However, if the switch is mounted on a metal back box the back box should be earthed. If the fan requires an earth connection then earth continuity must be provided.

All electrical connections should be made by a properly qualified electrician. The siting and installation MUST comply with the current I.E.E. Regulations (BS7671 UK) or the appropriate standards in your country.

When using surface wiring that is not contained in conduit, the cables must be securely clipped to the mounting surface, close to the controller.

Electrical connections depend on the model of unit and the required mode of operation, Also see the units leaflet for connection details.

Fig 1 shows wiring for units HR200WK & HR200WJ

Fig 2 shows wiring for unit MV250

Fig 3 shows wiring for unit MVDC

Double check the wiring making sure all connections are secure. Fit the Switch to the mounting box with the two screws provided. Do not over-tighten the screws. Do not trap any wires when fitting the two pieces together.

Switch the mains supply on and check operation.

All regulations and requirements MUST be strictly followed to prevent hazards to life and property both during and after installation, and during any subsequent servicing and maintenance



This product should not be disposed of with household waste.
Please recycle where facilities exist. Check with your local authority for recycling advice

Fig.1. Wiring a HR200WK & HR200WJ to enable switching between Normal, Boost & Purge speeds

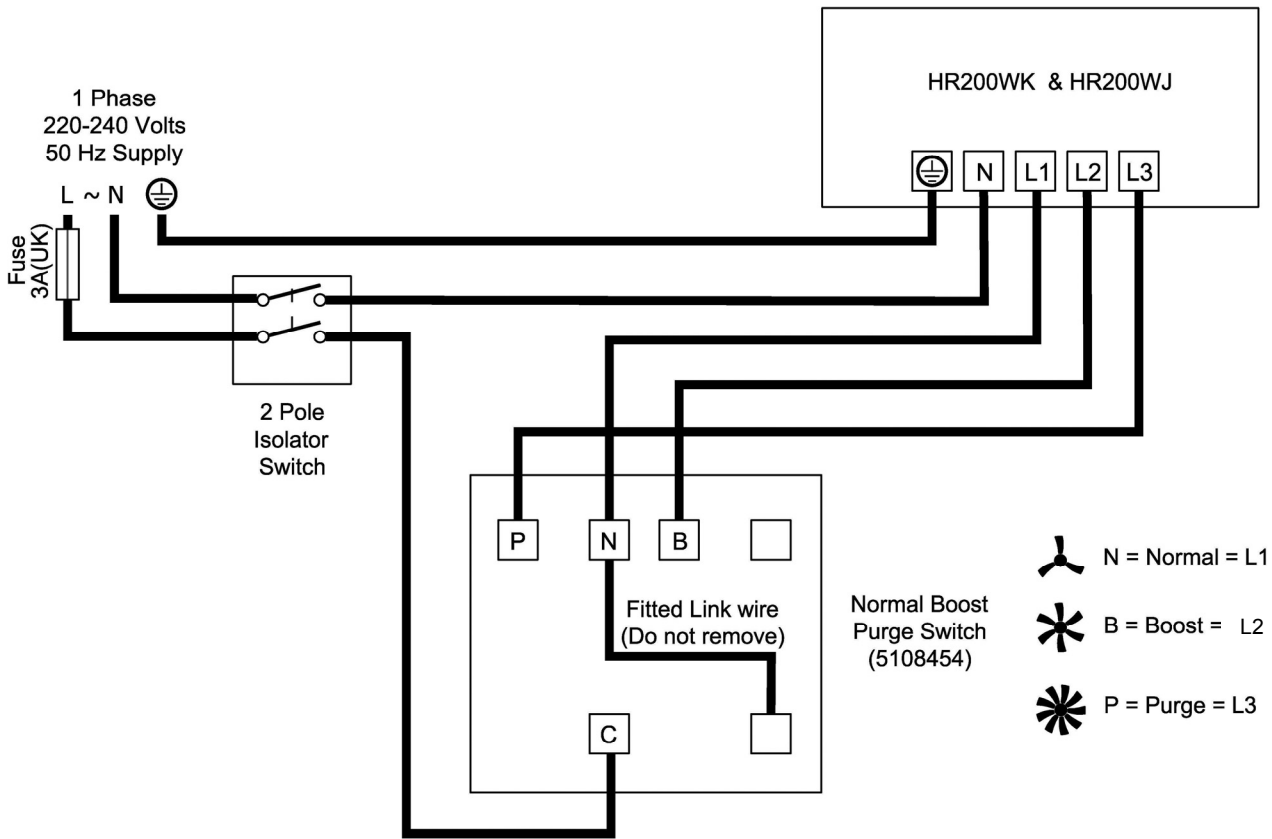


Fig.2. Wiring a MV250 to enable switching between Normal (Low), Boost (Med) & Purge (High) speeds

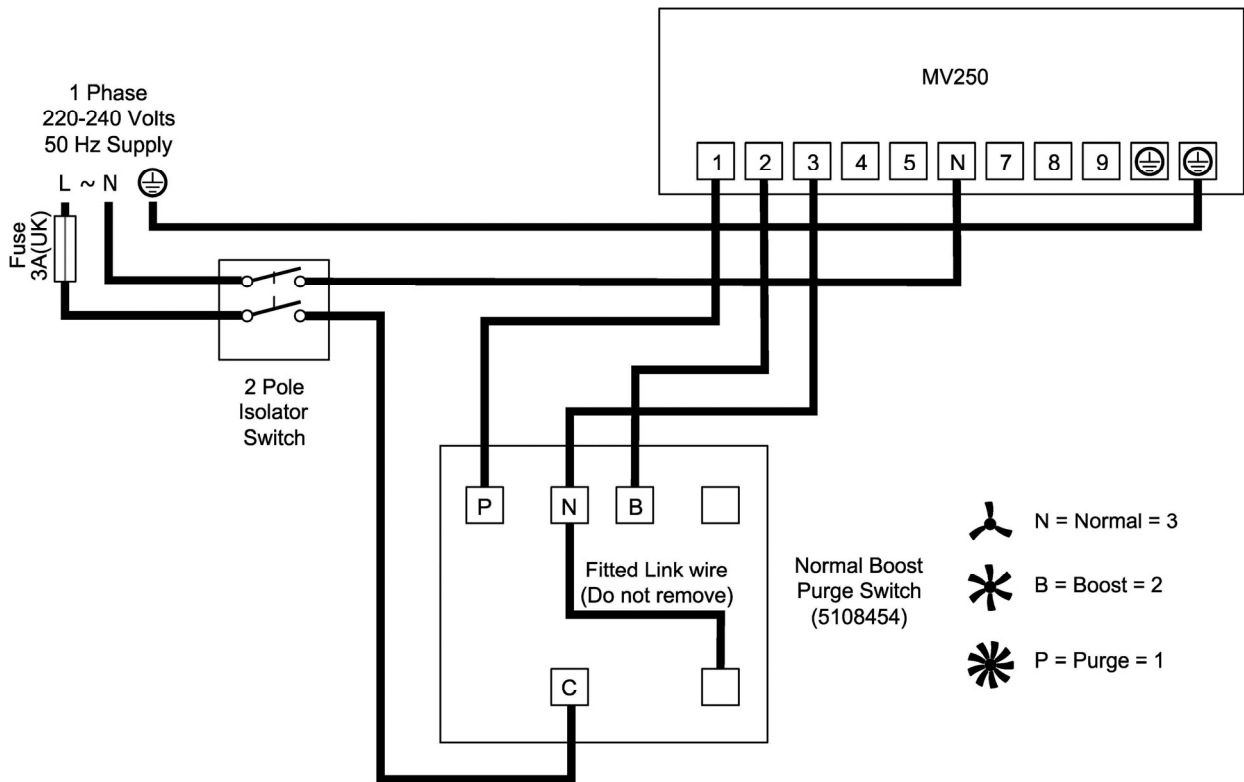
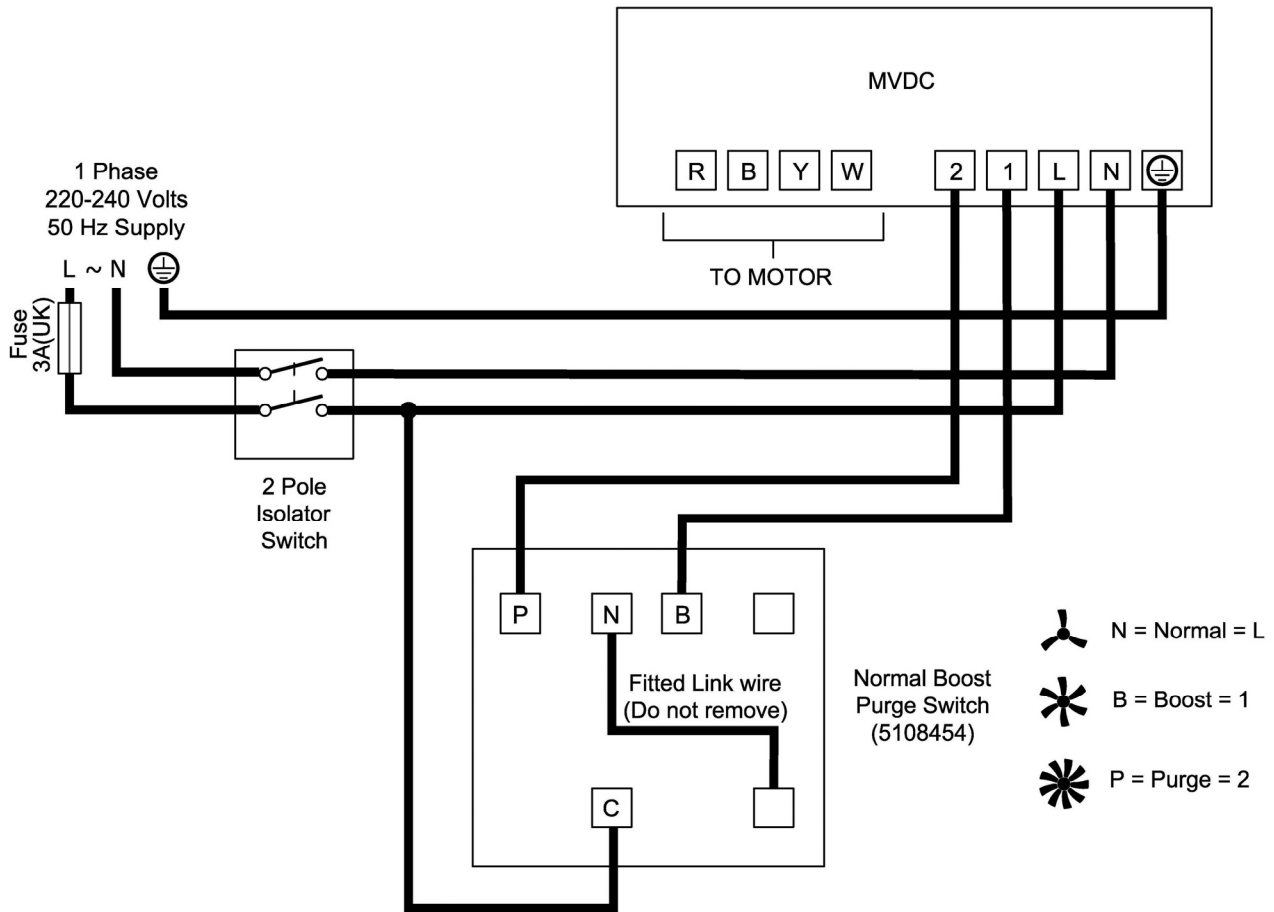


Fig.3. Wiring a MVDC to enable switching between Normal (Low), Boost (Med) & Purge (High) speeds



The *Vent-Axia* Guarantee

Applicable only to products installed and used in the United Kingdom. For details of guarantee outside the United Kingdom contact your local supplier.

Vent-Axia guarantees its products for two years from date of purchase against faulty material or workmanship. In the event of any part being found to be defective, the product will be repaired, or at the Company's option replaced, without charge, provided that the product:-

- Has been installed and used in accordance with the instructions given with each unit.
- Has not been connected to an unsuitable electricity supply. (The correct electricity supply voltage is shown on the product rating label attached to the unit).
- Has not been subjected to misuse, neglect or damage.
- Has not been modified or repaired by any person not authorised by the company.

IF CLAIMING UNDER TERMS OF GUARANTEE

Please return the complete product, carriage paid to your original supplier or nearest Vent-Axia Centre, by post or personal visit. Please ensure that it is adequately packed and accompanied by a letter clearly marked "Guarantee Claim" stating the nature of the fault and providing evidence of date and source of purchase.

The guarantee is offered to you as an extra benefit, and does not effect your legal rights



Head Office: Fleming Way, Crawley, West Sussex, RH10 9YX.

UK NATIONAL CALL CENTRE, Newton Road, Crawley, West Sussex, RH10 9JA

SALES ENQUIRIES: Tel: 0844 8560590 Fax: 01293 565169
 TECHNICAL SUPPORT Tel: 0844 8560594 Fax: 01293 532814

For details of the warranty and returns procedure please refer to www.vent-axia or write to Vent-Axia, Fleming Way, Crawley, RH10 9YX