

Vent-Axia®

Clean Air Systems

IND3 Installation & Maintenance Instructions Heat Exchanger – Remote Mounting

- to 70% heat transfer
- Lightweight polymeric Up construction 9kg.
- Spigots to suit 300/315 flexible ducting
- M6 threaded inserts for easy installation
- Module easily accessible (4 M6 screws) for cleaning.

To keep rooms warm and comfortable during the heating season, cold fresh air must be tempered before supply. The most sensible and cost effective way to achieve this is to incorporate an IND3 heat exchanger in the ducting system which transfers waste heat from extracted foul air to the fresh air supply.

Applications

The IND3 unit provides balanced ventilation for commercial and residential areas and is ideal for swimming pools, computer rooms, classrooms, shower rooms and changing areas, etc., where avoiding cold draughts and maintaining internal temperatures is essential.

Spigots to suit 300/315 Ø ducting

Spigots are designed to take standard 300mm dia. flexible ducting. Foam collar adaptors are available to convert spigots to 315mm dia. compatible.

Maintenance

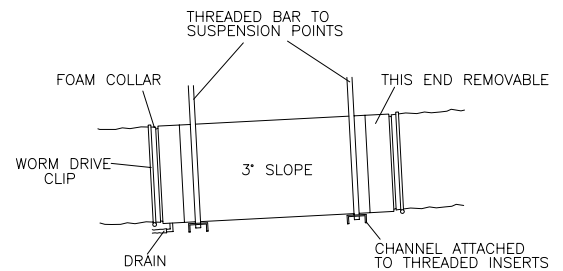
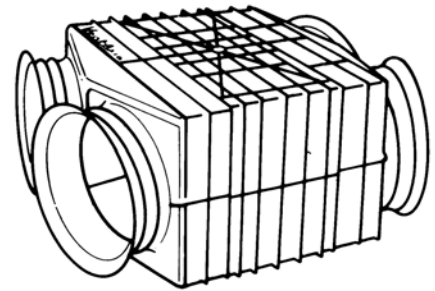
The Heat Exchanger will require occasional cleaning to remove build up of deposits.

The cassette is easily extracted by unscrewing the 4 M6 cover bolts on the removable end of the heat exchanger unit. Debris can be removed and cleaned by using a vacuum cleaner or by washing in luke warm soapy water.

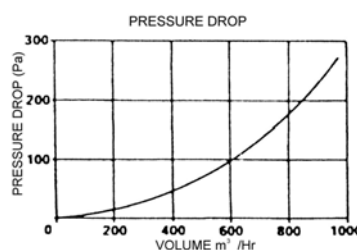
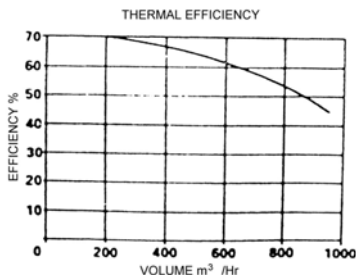
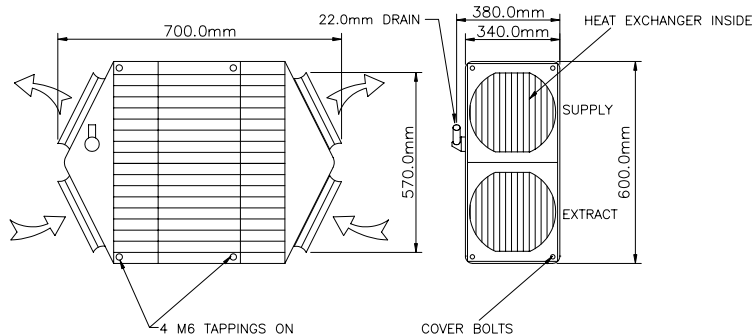
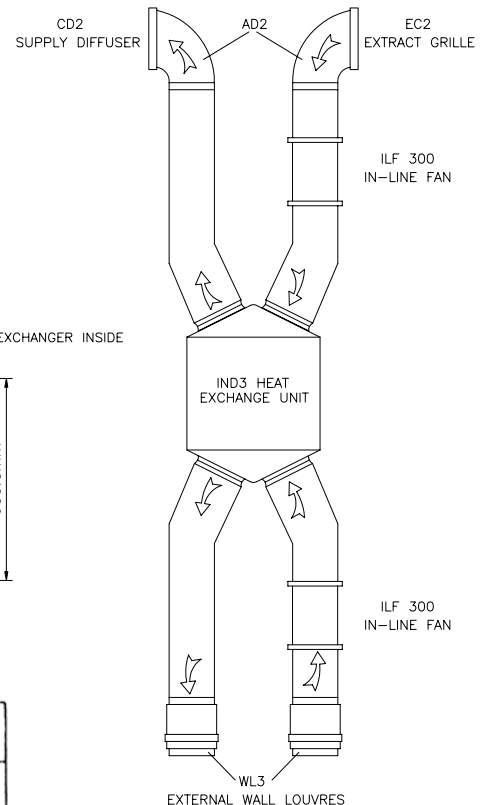
In heavily polluted and smoky environments, it is recommended that the heat exchanger unit is examined for cleaning purposes every 3-6 months.

Spare cassettes are available to enable immediate change over of

soiled units which can be cleaned for later use.



TYPICAL INSTALLATION



VENT-AXIA CONTACT NUMBERS

UK NATIONAL SALES CENTRE

Domestic & Commercial

Tele: 01293 530202

Fax: 01293 565169

Industrial

Tele: 01293 441570

Fax: 01293 534898

REPUBLIC OF IRELAND

Vent-Axia Ventilation Ltd.
921 Western Road Industrial Estate
Naas Road, Dublin 12.
Tele: (01) 450 4133
Fax: (01) 450 4570

UK NATIONAL TECHNICAL SUPPORT

Domestic & Commercial

Tele: 01293 526062

Fax: 01293 551188

Industrial

Tele: 01293 455196

Fax: 01293 455197

Internet site at: www.vent-axia.com

Email: info@vent-axia.com

The Vent-Axia Guarantee

Applicable only to products installed and used in the United Kingdom. For details of the Guarantee outside of the United Kingdom contact your local supplier.

Vent-Axia guarantees this product for one year from the date of purchase against faulty material or workmanship. In the event of any part being found to be defective, the product will be repaired, or at the Company's discretion the product will be replaced without charge, provided that the product:

- 1). Has been installed and used in accordance with the instruction given with each unit.
- 2). The electricity supply complies with the rating label.
- 3). Has not been misused, neglected or damaged.
- 4). Has not been modified or repaired by any person not authorized to do so by Vent-Axia.

IF CLAIMING UNDER THE TERMS OF THE GUARANTEE

Please return the complete product, carriage paid to your original supplier by post or in person. Please ensure that it is adequately packed and accompanied by a letter clearly marked 'Guarantee Claim' stating the nature of the fault and providing proof of the date and source of purchase

As part of the policy of continuous product improvement
Vent-Axia reserve the right to alter specifications without notice



Head Office: Fleming Way, Crawley, West Sussex RH10 9YX
Tel: 01293 526062 Fax: 01293 551188
Internet site at: www.vent-axia.com