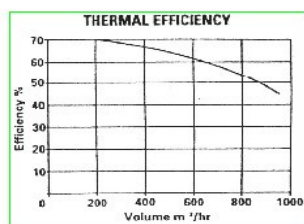
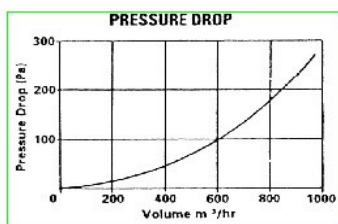
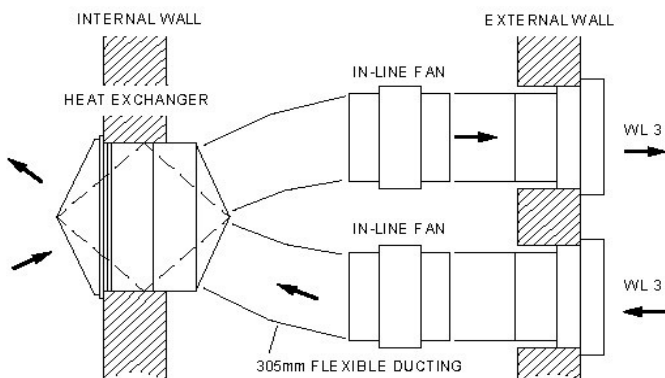
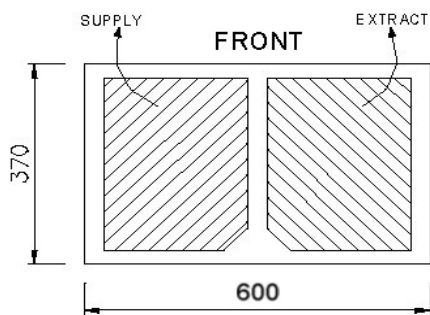
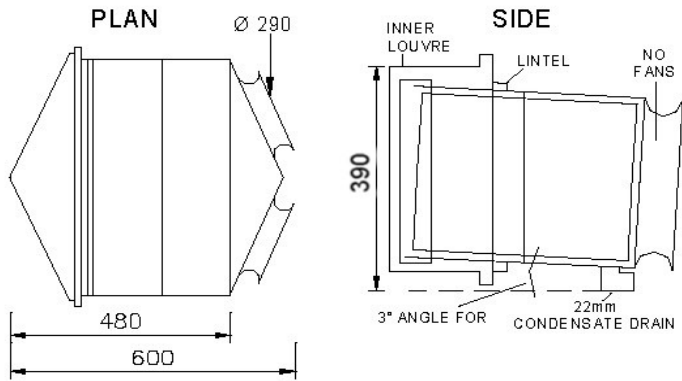


# Vent-Axia®

## Clean Air Systems



### Applications

The HR2 unit is designed for mounting in internal walls for installations using ducted extraction and fresh air supply. Air movement is achieved by using in-line duct fans or wall mounted units to suit the length and configuration of ducting systems. The unit is compatible with Ø300mm flexible duct and ideally suited for use with in-line fans and wall louvres type WL3.

Concentric reducers are available to convert inlet and exhaust spigots to 250mm or 200mm diameter for use with alternative fans/ducting if required.

### Maintenance

The HR2 unit requires only occasional cleaning. By depressing the two buttons on either side of the internal grille, the grille, pre-filters and heat exchanger can be easily removed and cleaned by using a vacuum cleaner or by washing in luke warm soapy water.

In heavily polluted and smoky environments it is recommended that the heat exchanger unit is examined for cleaning purposes every 3 months.

Spare cassettes are available to enable immediate change over of soiled units, which can be cleaned for later use.

### Installation

The HR2 unit should be set in an inner wall with the grille flange set flush with the inner surface ( a steel lintel is provided for additional support of building fabric if required ). This will automatically produce a 3° slope of the unit away from the inner grille for drainage of any condensate which may form during operation. A 22mm drain is situated between inlet and exhaust spigots and should be connected to a suitable drain/soakaway.

FIXING HOLE OPENING: 610 x 380mm.  
UNIT WEIGHT : 9.0 kgs.

# VENT-AXIA CONTACT NUMBERS

## UK NATIONAL SALES CENTRE

### Domestic & Commercial

Tele: 01293 530202

Fax: 01293 565169

### Industrial

Tele: 01293 441570

Fax: 01293 534898

## REPUBLIC OF IRELAND

Vent-Axia Ventilation Ltd.

921 Western Road Industrial Estate

Naas Road, Dublin 12.

Tele: (01) 450 4133

Fax: (01) 450 4570

## UK NATIONAL TECHNICAL SUPPORT

### Domestic & Commercial

Tele: 01293 526062

Fax: 01293 551188

### Industrial

Tele: 01293 455196

Fax: 01293 455197

Internet site at: [www.vent-axia.com](http://www.vent-axia.com)

Email: [info@vent-axia.com](mailto:info@vent-axia.com)

## The Vent-Axia Guarantee

Applicable only to products installed and used in the United Kingdom. For details of the Guarantee outside of the United Kingdom contact your local supplier.

Vent-Axia guarantees this product for one year from the date of purchase against faulty material or workmanship. In the event of any part being found to be defective, the product will be repaired, or at the Company's discretion the product will be replaced without charge, provided that the product:

- 1). Has been installed and used in accordance with the instruction given with each unit.
- 2). The electricity supply complies with the rating label.
- 3). Has not been misused, neglected or damaged.
- 4). Has not been modified or repaired by any person not authorized to do so by Vent-Axia.

### IF CLAIMING UNDER THE TERMS OF THE GUARANTEE

Please return the complete product, carriage paid to your original supplier by post or in person. Please ensure that it is adequately packed and accompanied by a letter clearly marked 'Guarantee Claim' stating the nature of the fault and providing proof of the date and source of purchase

As part of the policy of continuous product improvement  
Vent-Axia reserve the right to alter specifications without notice



Head Office: Fleming Way, Crawley, West Sussex RH10 9YX

Tel: 01293 526062 Fax: 01293 551188

Internet site at: [www.vent-axia.com](http://www.vent-axia.com)