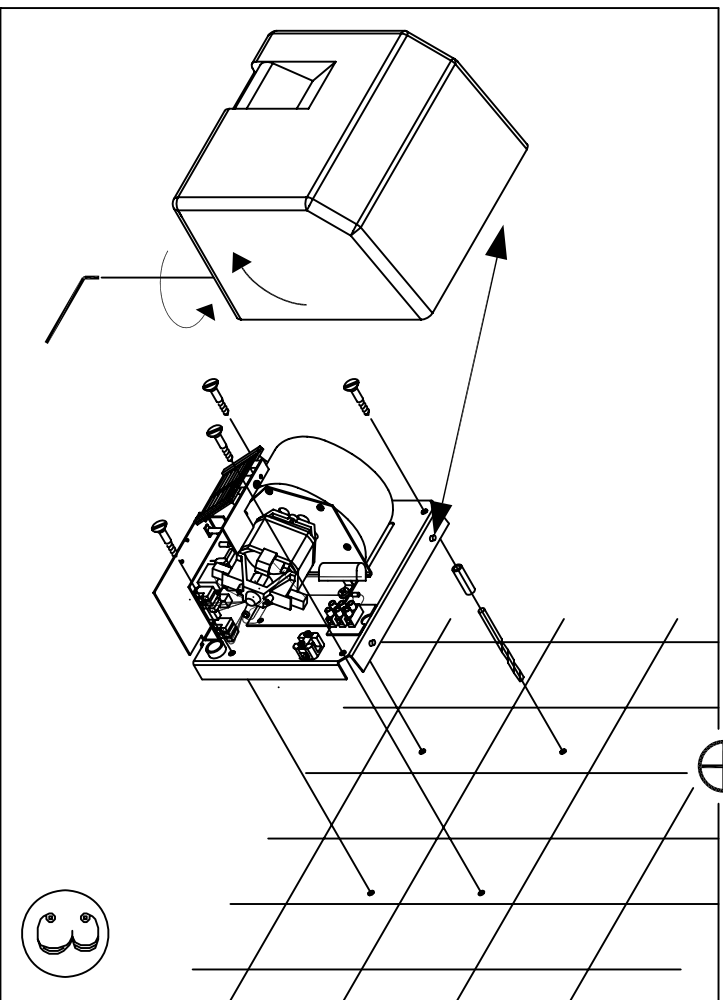
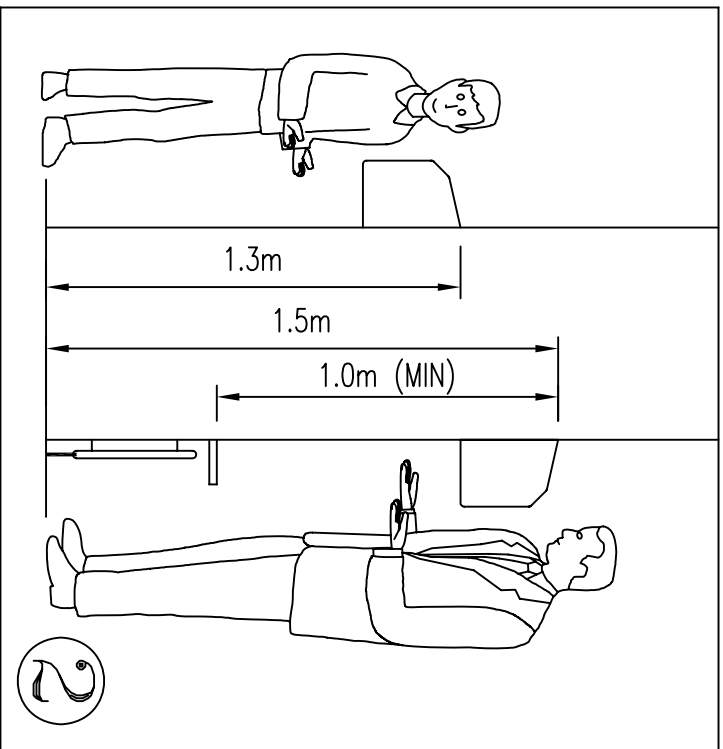
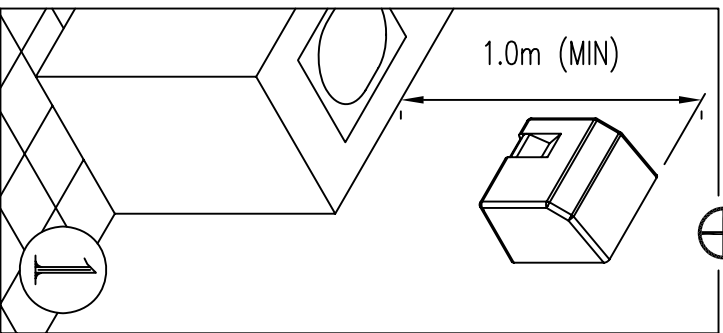


# VENT-AXIA ULTRADRY



## Electrical WARNING – THIS APPLIANCE MUST BE EARTHED

ALWAYS ENSURE THAT THE INSTALLATION CONFORMS TO THE CURRENT EDITION OF THE IEE WIRING REGULATIONS. IN PARTICULAR ENSURE THAT THE UNIT IS PROPERLY EARTHED AND SEPARATELY FUSED WITH A SUITABLY RATED FUSE, ALSO ENSURE THAT IT IS CONNECTED TO THE SUPPLY VIA A DOUBLE POLE SWITCH HAVING A CONTACT SEPARATION OF AT LEAST 3mm. CARE SHOULD BE TAKEN THAT SINGLE INSULATED CONDUCTORS CANNOT COME INTO CONTACT WITH THE MOUNTING SURFACE.

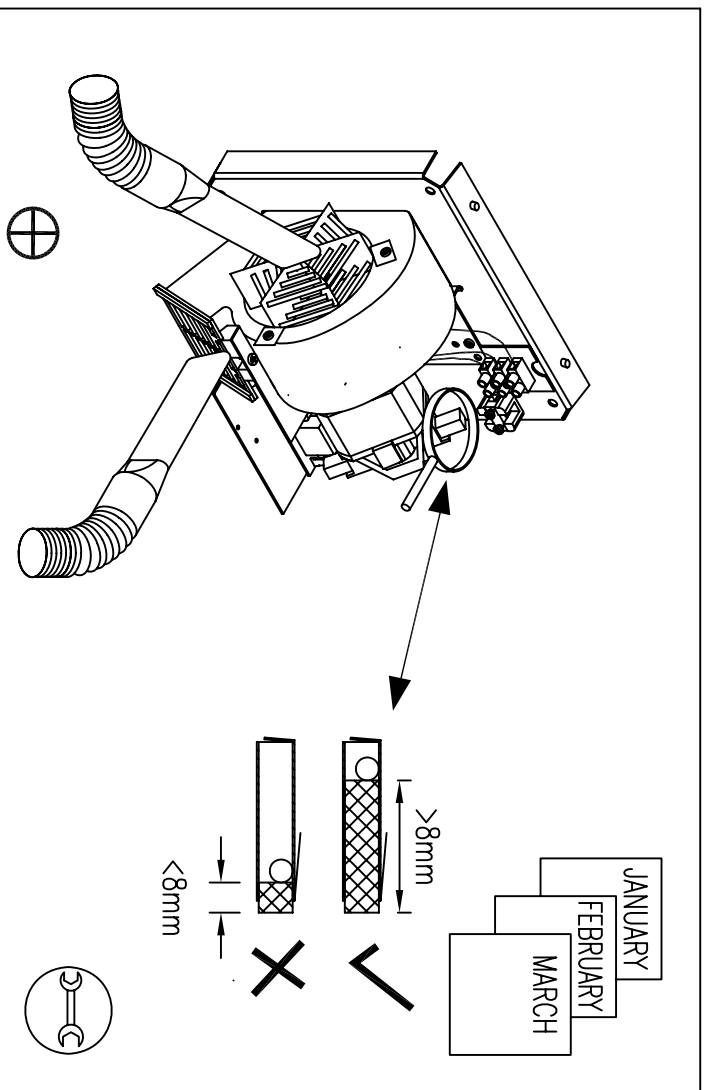
AFTER INSTALLATION OR SERVICING, UNITS MUST BE CHECKED, AND ONLY LEFT WHEN ELECTRICALLY AND MECHANICALLY SAFE.

When ordering replacement modules always quote SERIAL NO., MODEL, ELECTRICAL SUPPLY VOLTAGE AND FREQUENCY.

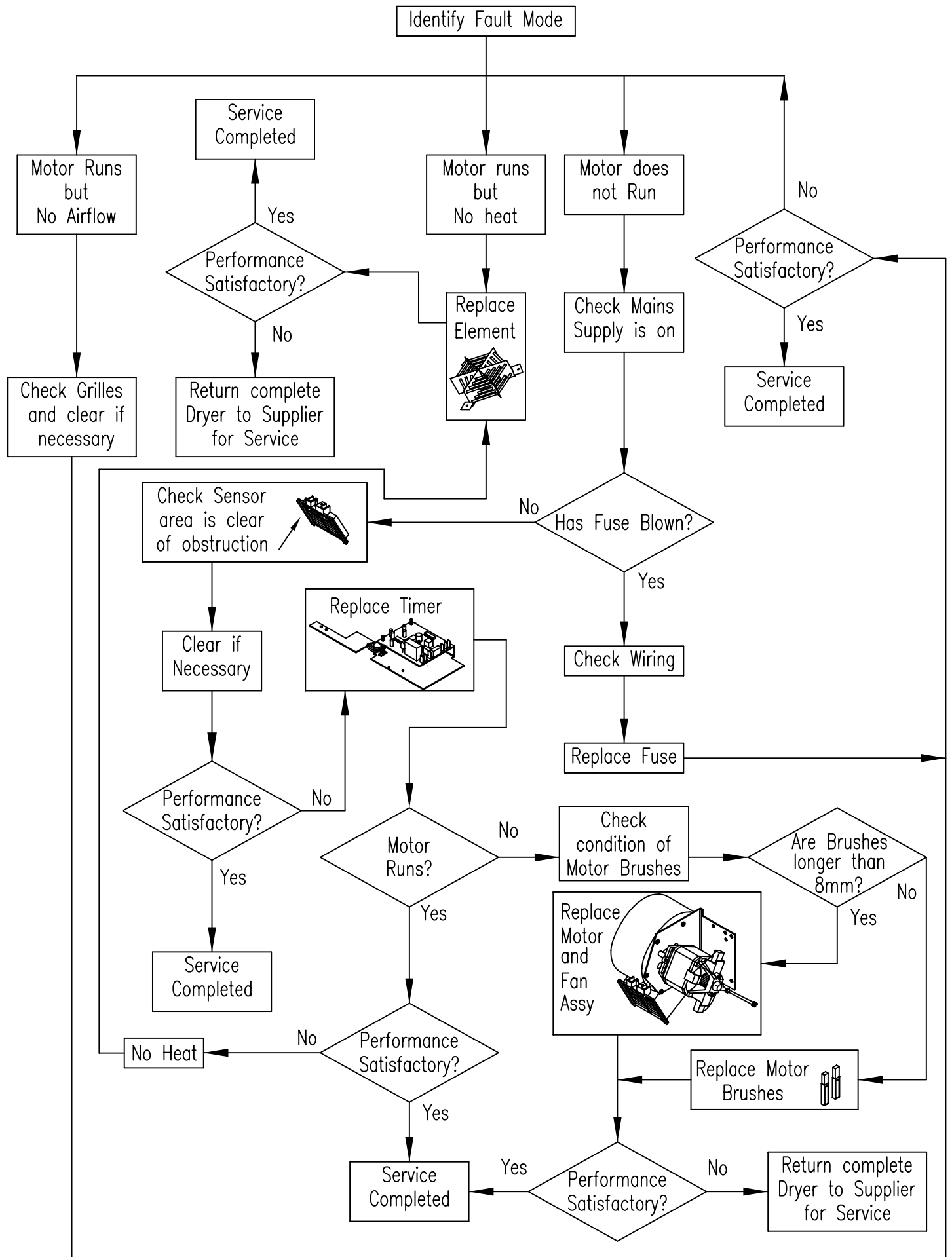
**Guarantee**  
Applicable to units installed and used in the United Kingdom. For details of guarantee outside the United Kingdom contact your local supplier.

Vent-Axia Limited guarantee their units for two years from the date of purchase or hire purchase agreement, against faulty material or workmanship. In the event of any part being found to be defective, the appliance will be repaired, or at the Company's option replaced, without charge, provided that the appliance: 1. has been installed and used in accordance with the instructions given with each unit; 2. has not been connected to an unsuitable electrical supply; 3. has not been subjected to misuse, neglect or damage; 4. has not been modified or repaired by any person not authorised by the Company.

The correct electricity supply voltage is shown on the appliance rating label attached to the unit.



THIS UNIT MUST ONLY BE FITTED BY QUALIFIED PERSONNEL.



## FAULT DIAGNOSIS CHART