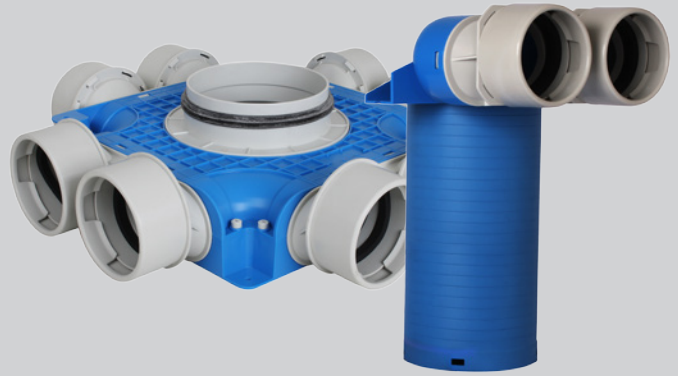


Uniflexplus+ Semi-Rigid Duct System

Features & Benefits

- Highly flexible and robust
- Extremely crush resistant
- Quick and easy to install
- PCDB listed
- Ideal for installation in concrete
- Corrosion proof
- Smooth inner surface with antistatic and antibacterial coating
- Low profile system - suitable for tight spaces
- Independently tested and accredited for air tightness



Uniflexplus+ Semi-Rigid Range

The new Uniflexplus+ Semi-Rigid Range sets the standard for easy to install, low profile ducting solutions. The system gives all of the flexibility that semi-rigid ducting provides - without taking up vital space. With minimal components, the system is uncomplicated to ensure a hassle-free, speedy install.

The Uniflexplus+ Semi-Rigid Range is compatible with most wholehouse ventilation systems including the Lo-Carbon Sentinel Kinetic Range (MVHR).

Models



90° Valve Collector

The 90° Valve Collector connects a section of 125mm diameter ducting and turns 90° into 2 spigots to connect to the semi rigid - ideal for dropping semi-rigid into ceiling diffusers.

Duct Size	Stock Ref
2xØ90 - Ø125mm	472248
1xØ90 - Ø125mm	472249
2xØ75 - Ø125mm	472255



Straight Valve Collector

The straight valve collector takes 125mm ducting and turns it straight into 2 spigots to connect to semi-rigid.

Model	Stock Ref
2xØ75mm - Ø125mm	472261
2xØ90mm - Ø125mm	472262

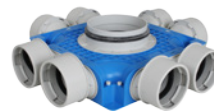


Semi-Rigid Ducting

Suitable for installation in concrete ceilings, suspended ceilings, internal walls, risers or frames, the Semi-Rigid Ducting is double-walled providing optimum flexibility. With an antistatic and antibacterial coating, the internal surface of the Semi-Rigid Ducting is smooth to ensure minimal resistance to airflow. Admissible operating temperature: -25°C to 60°C.

O/I Ømm	Length m	Coil Ømm	Coil Height mm	Weight kg
75/63	50	1100	350	17
90/78	20	1130	250	9

Pipe Size	Stock Ref
75mmØ x 50m	406587
90mmØ x 20m	406588



Distribution Box

The low-profile distribution box runs a central spigot of diameter 125mm into a set of either 8 or 12 sub-spigots, depending on requirements. Available with either 75mm or 90mm semi-rigid spigots.

Model	Stock Ref
12xØ90 - Ø125mm	472250
8xØ90 - Ø125mm	472251
12xØ75 - Ø125mm	472256
8xØ75 - Ø125mm	472257

Accessories

Circular Extract Diffusers

Duct Size	Stock Ref
125mmØ	10544125

Circular Supply Diffusers

Duct Size	Stock Ref
125mmØ	10543125

Duct Knife

Duct Size	Stock Ref
Ø90mm	472252
Ø75mm	472258

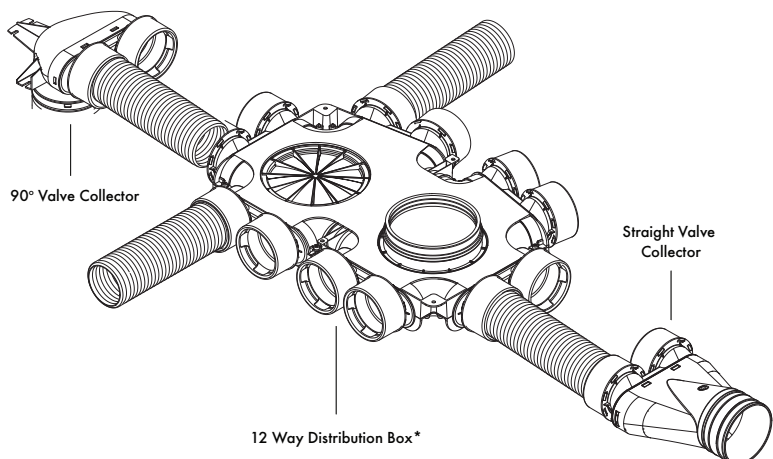
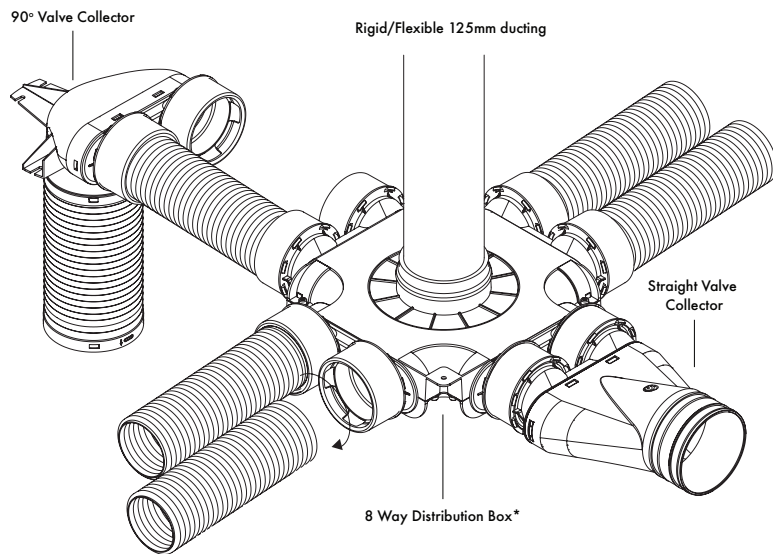
90° Bend

Duct Size	Stock Ref
Ø90mm	472253
Ø75mm	472259

Coupler

Duct Size	Stock Ref
Ø90mm	472254
Ø75mm	472260

Complete System Setup Examples



The distribution boxes can be mounted vertically on a wall or fixed horizontally onto a ceiling slab to achieve a solution tailored to your need. At a depth of just 90mm, the distribution boxes offer a considerably low profile solution - they can then be combined with various components to suit on-site needs.

Semi-Rigid ducting is run from distribution boxes and ancillaries to respective rooms in the dwelling. Connecting the Semi-Rigid ducting to components is exceptionally straightforward to allow speedy installation - simply turn the ducting into the spigot until it clicks twice to achieve an airtight mechanical seal.

Rigid or flexible 125mm diameter ducting is then run from the MVHR unit to the distribution box.