

# HR204 MVHR Unit



## Features and Benefits

- Controls condensation and odours.
- Eliminates mould growth.
- Up to 70% heat recovery.
- Prevents noise ingress.
- Reduces maintenance costs.

This unit is a residential mechanical ventilation unit with high efficiency heat recovery that provides continuous extraction of stale air from the dwelling typically from the bathroom and kitchen.

The HR204 prevents noise ingress and eliminates mould growth.

Performance of HR204: Up to 185m<sup>3</sup>/h FID capacity.

As the unit is a compact design it can be easily located in a kitchen cupboard, airing cupboard etc. when space is at a premium.

Designed for use in apartments, flats and smaller dwellings and in particular those inner-city sites where noise ingress or pollution is a problem.

Model

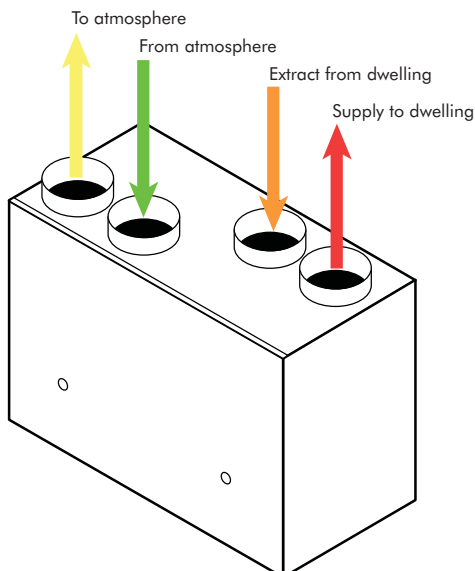
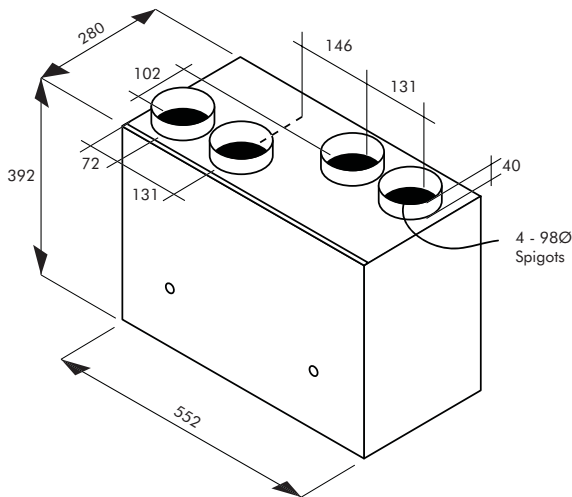
Model  
HR204

Stock Ref  
**372708**

**CAS**  
£ Trade  
**786.46**

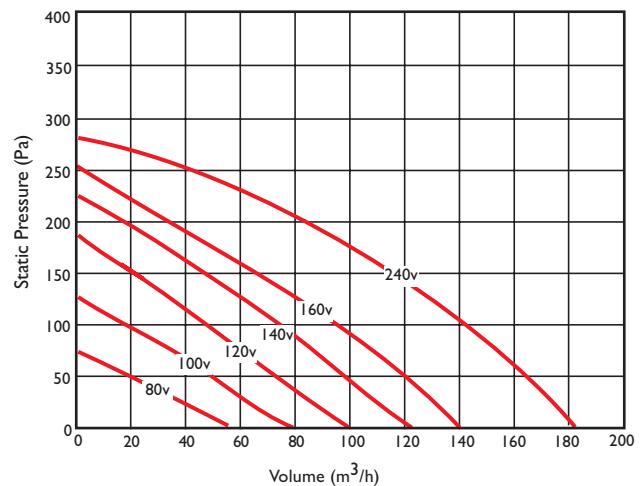
## Dimensions (mm)

Weight: 17kg



## Performance

The MVHR unit has five normal fan speed settings and one boost setting. The performance curve chart gives the ventilation rates at each fan speed setting compared to the pressure drop of the system.



HR204 has an Integral Transformer for controllability

Motor Speed	1	2	3	4	5	6
Volume m <sup>3</sup> /h (FID)	60	80	100	120	140	185

## Power Consumption

Speed 1	80V	16W
Speed 2	100V	27W
Speed 3	120V	40W
Speed 4	140V	52W
Speed 5	160V	65W
Speed 6	240V	111W