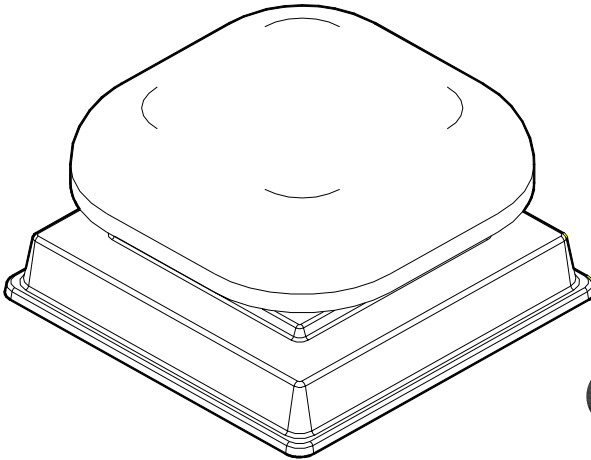


Vent-Axia®

CENTRIFUGAL ROOF FAN

Ref: RBH250-12

Fitting and Wiring Instructions



SAFETY INSTRUCTIONS FOR AIR MOVEMENT EQUIPMENT

Air moving equipment may present mechanical, electrical or noise hazards. To minimise risks associated with these potential hazards, it is essential that safety, installation, operation and maintenance instructions are followed. Implementation of these instructions should always be undertaken by technically competent personnel.

Potential mechanical hazards must be eliminated by guarding against access to the rotating parts whilst the air moving equipment is operating. A range of guards are available for this purpose from Vent-Axia.

Installation work, both mechanical and electrical, must be undertaken in accordance with the safety and installation instructions before switching on the unit.

Maintenance work should not be attempted before first switching off and isolating the fan and its control from the electrical supply and ensuring that it cannot be accidentally turned back on again. It is essential to ensure that rotating parts have come completely to rest before maintenance work commences.

Air moving equipment may generate unacceptable noise levels when in operation. Actual sound levels are indicated in the Vent-Axia Industrial catalogue for each product and it may be necessary to take appropriate action to reduce sound levels. A range of products are available for this purpose from Vent-Axia.

IMPORTANT- READ THESE INSTRUCTIONS FULLY BEFORE COMMENCING INSTALLATION

On receipt of fan, check the following:

- a. That the type and size of the fan is correct for the application.
- b. That the details and the rating plate are appropriate for the application, including: Voltage, Frequency, number of phases (1 or 3) and speed.

PLEASE LEAVE THESE INSTRUCTIONS FOR THE END USER

Description

This centrifugal fan is designed as a roof extract ventilator. It is supplied fully assembled and ready for installation and incorporates a service switch.

The mounting plate is moulded with a fixed bell-mouth to ensure optimum efficiency and precise alignment. The weather-cowl is also moulded to produce a smooth internal surface and has a tough UV resistant finish. All models are equally suitable for flat or inclined roofs and are suitable for kerb or soaker sheet mounting.

The fan is capable of handling air temperatures up to 40°C continuously.

Mounting

Each fan is supplied and assembled ready for installation.

For easy and quick mounting, the following points are important:

1. The fan should be installed with its base plate mounted securely to either a roof kerb or soaker sheet. When fixed to a kerb made of concrete, bricks or wood, make absolutely sure that the surface onto which the fan is mounted is clean and level. In order to ensure an airtight fit, use a seal of non-porous material.
2. Lift the cowl off the unit by removing the fixing screws. Remove any packaging material.
3. Place the fan on the kerb or soaker sheet. Tighten bolts/screws evenly and not too hard to prevent deformation of the base. Check by hand that the impeller runs smoothly and without fouling.
4. If the fan inlet is less than 2.3m high, a suitable guard must be fitted.
5. Follow the instructions given in 'electrical connections' to connect the power supply to the fan.
6. Re-fit the cowl. It is recommended to cover the screws with a clear silicone sealant.

Electrical Connections

IMPORTANT

- THIS EQUIPMENT MUST BE EARTHED.
- MAINS SUPPLY MUST BE ISOLATED BEFORE MAKING CONNECTION.
- CONNECTION TO MAINS SUPPLY MUST BE IN ACCORDANCE WITH CURRENT I.E.E. WIRING REGULATIONS, BS 7671, LOCAL BUILDING AND FACTORY REGULATIONS, OR APPROPRIATE STANDARDS IN YOUR COUNTRY. THE EQUIPMENT SHOULD BE PROVIDED WITH AN ALL-POLE ISOLATOR SWITCH HAVING A CONTACT SEPARATION OF AT LEAST 3mm AND SUITABLY SIZED FUSES OR CIRCUIT BREAKERS. IT IS RECOMMENDED THAT WIRING TO THE UNIT BE MADE IN FLEXIBLE CONDUIT TO FACILITATE MAINTENANCE.
- ENSURE SAFETY REGULATIONS AND PRACTICES ARE ADHERED TO WHEN INSTALLING AND USING THIS EQUIPMENT.

Wiring Instructions

WARNING: ISOLATE MAINS SUPPLY BEFORE MAKING CONNECTION.

Ensure switch is in the 'OFF' position. Remove the lid of the terminal box and connect the unit in accordance with the wiring diagram. Ensure that the earth connection has been made. After making wiring connections, check that they are all correct and secure, replace lid ensuring that all screws, nuts and glands are adequately tightened to prevent the ingress of dirt and moisture.

When wiring in conjunction with a speed controller, see instructions supplied with controller.

Notes on Running

Before switching on CHECK:

- Control unit and motor/fan are secure.
- All relevant guards and covers are fitted.
- Earth connections have been made and are secure.
- Switch on service switch

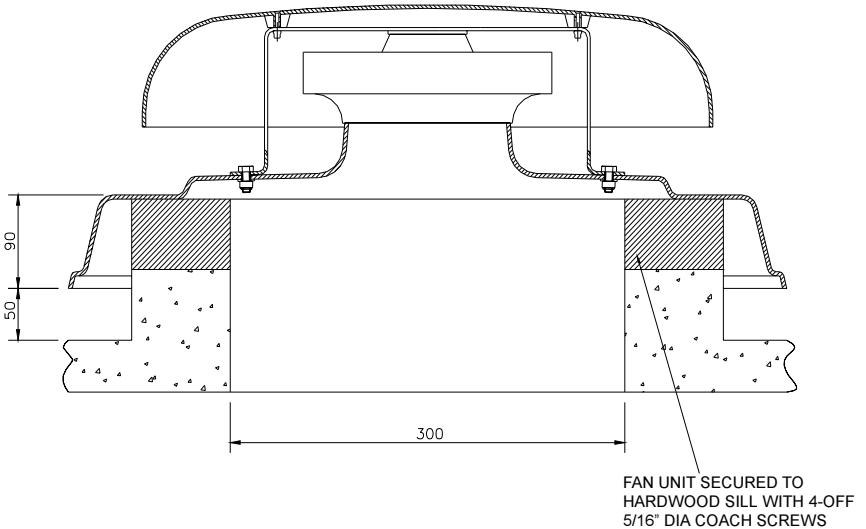
Routine Inspection / Maintenance

THIS MUST BE UNDERTAKEN BY A COMPETENT PERSON
ISOLATE UNIT FROM ELECTRICAL SUPPLY AND ENSURE THAT IT CANNOT BE
ACCIDENTALLY TURNED BACK ON.

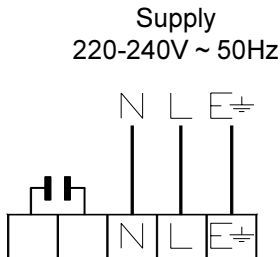
For additional safety during maintenance a SERVICE SWITCH is provided on the terminal box
NOTE: This is not an isolating switch and should not be used to start or stop the fan.

1. We recommend that after three months the fan should be inspected and cleaned to ensure there is no build up of dirt or other deposits on the impeller or motor. Thereafter, it should be checked and cleaned periodically as experience dictates, or at least twice a year. Please take care not to dislodge any balancing weights fitted on the fan blades. If the fan is handling dust laden air, we recommend that a filter is fitted to the system (suitable filters are available from Vent-Axia Ltd.).
2. All Vent-Axia Access fans are fitted with sealed for life bearings and therefore do not require any lubrication.
3. Check all fasteners and guards are secure.

Details for kerb Mounting



Wiring Diagram



VENT-AXIA SALES CENTRES

SCOTLAND 12 Lambhill Quadrant,
Scotland Street Trading Estate,
Kinning Park, Glasgow G41 1SB.
Telephone: 0141 429 1166 Fax: 0141 429 6616.

NORTH WEST Unit 2 Caledonia Way,
Stretford Motorway Est.
Barton Dock Road, Manchester M32 0ZH.
Telephone: 0161 865 8421 Fax: 0161 865 0098.

NORTH EAST 5 Dolly Lane, Leeds LS97TT
Telephone: 0113 245 2985 Fax: 0113 242 4430.

MIDLANDS 70 Albert Road,
Stechford, Birmingham B33 9AH.
Telephone: 0121 783 8601 Fax: 0121 784 7506.

SOUTH WEST 1340 Aztec West,
Almondsbury, Bristol BS12 4RX.
Telephone: 01454 612000 Fax: 01454 612020.

SOUTHEAST Newton Road,
Crawley, West Sussex RH10 2JA.
Telephone: 01293 530202 Fax: 01293 565169.

EASTERN Newton Road,
Crawley, West Sussex RH10 2JA.
Telephone: 01293 530202 Fax: 01293 565169.

LONDON Newton Road,
Crawley, West Sussex RH10 2JA.
Telephone: 0181 549 2271 Fax: 01293 565169.

NORTHERN IRELAND 11 Sydenham Road,
Belfast BT3 9DH.
Telephone: 01232 455528 Fax: 01232 452529.

REPUBLIC OF IRELAND
Vent-Axia Ventilation Ltd.
921 Western Industrial Estate, Naas Road, Dublin 12.
Telephone: 01 450 4133 Fax: 01 450 4570.

Internet site at: www.vent-axia.com email: info@vent-axia.com

The Vent-Axia Guarantee

Applicable only to products installed and used in the United Kingdom. For details of guarantee outside the United Kingdom contact your local supplier.
Vent-Axia Limited guarantees this product for one year from the date of purchase against faulty materials or workmanship. In the event of any part found to be defective, the product will be repaired, or at the Company's option replaced, without charge, provided that the product:

- 1) has been installed and used in accordance with the instructions given with each unit
- 2) has not been connected to an unsuitable electricity supply. (The correct electricity supply voltage is shown on the product rating label attached to the unit.)
- 3) has not been subject to misuse, neglect or damage.
- 4) has not been modified or repaired by any person not authorised by the company.

IF CLAIMING UNDER TERMS OF GUARANTEE

please return the complete product, carriage paid to your original supplier or nearest Vent-Axia Centre, by post or personal visit. Please ensure that it is adequately packed and accompanied by a letter clearly marked 'Guarantee Claim' stating the nature of the fault and providing evidence of date and source of purchase.

This guarantee is offered to you as an extra benefit, and does not affect your legal rights.

As part of the policy of continuous product improvement Vent-Axia reserves the right to alter specifications without notice.

Vent-Axia®

Vent-Axia Ltd

Head Office: Fleming Way, Crawley, West Sussex RH10 2NN
Tel: 01293 526062 Fax: 01293 551188