

Routine Inspection/Maintenance

THIS MUST BE UNDERTAKEN BY A COMPETENT PERSON
ISOLATE UNIT FROM ELECTRICAL SUPPLY AND ENSURE THAT IT CANNOT BE ACCIDENTALLY TURNED
BACK ON.

For additional safety during maintenance a SERVICE SWITCH is provided on the fan terminal box.

NOTE: This is not an isolating switch and should not be used to start or stop the fan.

1. We recommend that after three months the fan should be inspected and cleaned to ensure there is no build up of dirt or other deposits on the impeller or motor. Thereafter, it should be checked and cleaned periodically as experience dictates, or at least twice a year. Please take care not to dislodge any balancing weights fitted on the fan blades.

If the fan is handling dust laden air, we recommend that a filter is fitted to the system (suitable filters are available from Vent-Axia Ltd.).

2. All Vent-Axia Access fans are fitted with sealed for life bearings and therefore do not require any lubrication.
3. Check all fasteners and guards are secure.

Vent-Axia Ventilation Centres

Birmingham 70 Albert Road, Stechford,
Birmingham B33 9AH.
Telephone: 0121-783 8601 Fax: 0121-784 7506

Bristol 4 Dowry Square, Bristol BS8 4SS.
Telephone: 0117 927 7567 Fax: 0117 922 5631

East Anglia Newton Road, Crawley,
West Sussex RH10 2JA.
Telephone: 01293 530202 Fax: 01293 565169

Glasgow 12 Lambhill Quadrant, Scotland Street
Trading Estate, Kinning Park, Glasgow G41 1SB.
Telephone: 0141 429 1166 Fax: 0141 429 6616

Leeds 5 Dolly Lane, Leeds LS9 7TT.
Telephone: 0113 245 2985 Fax: 0113 242 4430

London Newton Road, Crawley,
West Sussex RH10 2JA.
Telephone: 0181 549 2271 Fax: 01293 565169

Newcastle 35/43 George Street,
Newcastle upon Tyne NE4 7JL.
Telephone: 0191 273 1128 Fax: 0191 226 0352

North West Unit 2 Caledonia Way, Stretford
Motorway Est. Barton Dock Road,
Manchester M32 0ZH.
Telephone: 0161 865 8421 Fax: 0161 865 0098

South East Newton Road, Crawley,
West Sussex RH10 2JA.
Telephone: 01293 530202 Fax: 01293 565169

Belfast 11 Sydenham Road, Belfast BT3 9DH.
Telephone: 01232 455528 Fax: 01232 452529

Republic of Ireland
Vent-Axia Ventilation Ltd. 921 Western Industrial
Estate, Naas Road, Dublin 12.
Telephone: (01) 450 4133 Fax: (01) 450 4570

Export Sales Office
Fleming Way, Crawley, West Sussex RH10 2NN
Telephone: 01293 526062 Fax: 01293 551188
Telex: 877491

The Vent-Axia Guarantee

Applicable only to products installed and used in the United Kingdom. For details of guarantee outside the United Kingdom contact your local supplier.

Vent-Axia Limited guarantees its products for one year from the date of purchase against faulty material or workmanship. In the event of any part being found to be defective, the product will be repaired, or at the Company's option replaced, without charge, provided that the product:

1. has been installed and used in accordance with the instructions given with each unit.
2. has not been connected to an unsuitable electricity supply. (The correct electricity supply voltage is shown on the product rating label attached to the unit.)
3. has not been subjected to misuse, neglect or damage.
4. has not been modified or repaired by any person not authorised by the company.

IF CLAIMING UNDER TERMS OF GUARANTEE

please return the complete product, carriage paid to your original supplier or nearest Vent-Axia Centre, by post or personal visit. Please ensure that it is adequately packed and accompanied by a letter clearly marked 'Guarantee Claim' stating the nature of the fault and providing evidence of date and source of purchase.

This guarantee is offered to you as an extra benefit, and does not affect your legal rights.

Vent-Axia®

Vent-Axia Ltd.

Head Office and Export Sales: Fleming Way, Crawley, West Sussex RH10 2NN
Tel: 01293 526062 Fax: 01293 551188

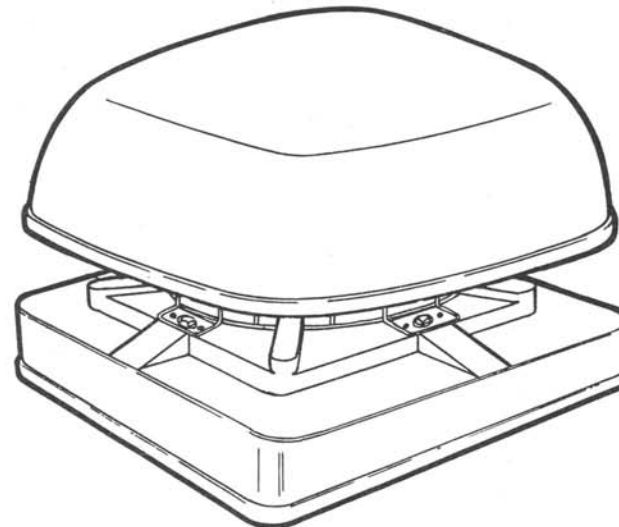


Recycled
paper

Vent-Axia™

INDUSTRIAL RANGE

INSTALLATION INSTRUCTIONS FOR CENTRIFUGAL ROOF (RBH SERIES) AND MIXED FLOW ROOF (RMH SERIES) FANS



This product is manufactured to conform with the requirements of the following European Directives:
Electromagnetic Compatibility 89/336/EEC Low Voltage 73/23/EEC

SAFETY INSTRUCTIONS FOR AIR MOVING EQUIPMENT

Air moving equipment may present mechanical, electrical or noise hazards. To minimise risks associated with these potential hazards, it is essential that safety, installation, operation and maintenance instructions are followed. Implementation of these instructions should always be undertaken by technically competent personnel.

Potential mechanical hazards must be eliminated by guarding against access to the rotating parts whilst the air moving equipment is operating. A range of guards are available for this purpose from Vent-Axia.

Installation work, both mechanical and electrical, must be undertaken in accordance with the safety and installation instructions before switching on the unit.

Maintenance work should not be attempted before first switching off and isolating the fan and its control from the electrical supply and ensuring that it cannot be accidentally turned back on again. It is essential to ensure that rotating parts have come completely to rest before maintenance work commences.

Air moving equipment may generate unacceptable noise levels when in operation. Actual sound levels are indicated in the Vent-Axia industrial catalogue for each product and it may be necessary to take appropriate action to reduce sound levels. A range of products are available for this purpose from Vent-Axia.

IMPORTANT – READ THESE INSTRUCTIONS FULLY BEFORE COMMENCING INSTALLATION

On receipt of the fan, check the following:–

- a. That the type and size of the fan is correct for the application.
- b. That the details on the rating plate are appropriate for the application, including: Voltage, Frequency, number of Phases (1 or 3) and Speed.

As part of the policy of continuous product improvement Vent-Axia reserves the right to alter specifications without notice.

Description

Both the Mixed Flow and Centrifugal Roof fans are designed as roof extract ventilators. They are supplied fully assembled and ready for installation and incorporate a service isolator.

The mounting plate is moulded with a fixed bellmouth to ensure optimum efficiency and precise alignment. The weather-cowl is also moulded to produce a smooth internal surface and has a tough UV resistant external finish. All models are equally suitable for flat or inclined roofs and are suitable for kerb or purlin box mounting.

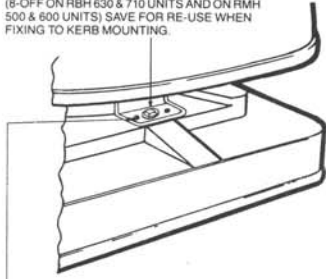
The fan is capable of handling air temperatures up to 40°C continuously.

Transport and Handling

The fan units should be transported horizontally and only lifted by the base.

Removal From Transit Packing

REMOVE 4-OFF COACH SCREWS ONLY TO DETACH UNIT FROM TRANSIT TIMBER (8-OFF ON RBH 630 & 710 UNITS AND ON RMH 500 & 600 UNITS) SAVE FOR RE-USE WHEN FIXING TO KERB MOUNTING.



DO NOT REMOVE SMALL SCREWS

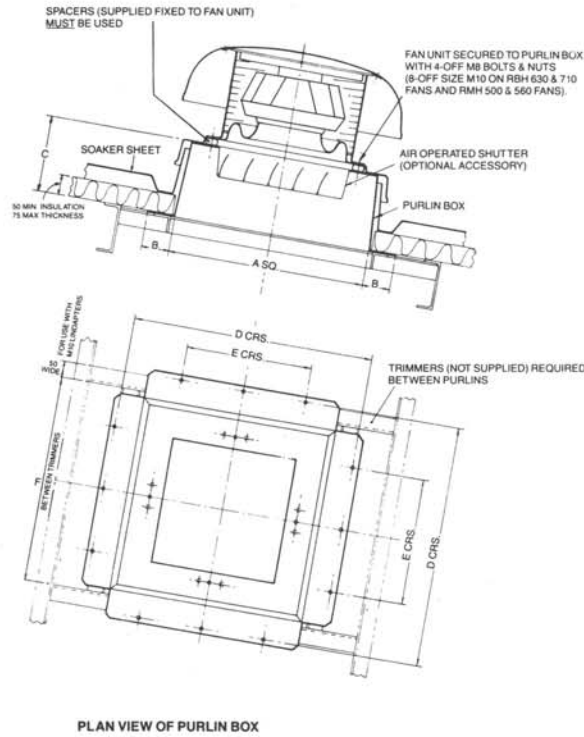
Mounting

Each fan is supplied and assembled ready for installation.

For easy and quick mounting, the following points are important:

1. The fan should be installed with its base plate mounted securely to either a roof kerb or purlin box. When fixed to a kerb made of concrete, bricks or wood, make absolutely sure that the surface on which the fan is to be mounted is clean and level. In order to ensure an airtight fit, use a seal of non-porous material.
2. When mounting on a purlin box note that trimmers (not supplied) will be required between purlins.
3. Study details in the diagrams showing the two alternative methods of mounting.
4. Place the fan on the kerb or purlin. Tighten bolts/screws evenly and not too hard in order to prevent deformation of the base. Check by hand that the impeller runs smoothly and without fouling.
5. If the fan inlet is less than 2.3m high, a suitable guard must be fitted.

Details For Purlin Mounting



PLAN VIEW OF PURLIN BOX

RBH

FAN SIZE	A	B	C	D	E	F
315/355	625	90	240	765	400	653
400/450	725	90	240	865	500	753
500/560	890	70	250	990	650	878
630/710	1030	75	250	1140	760	1028

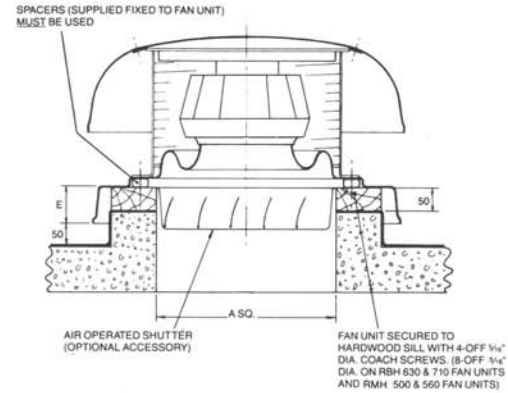
All dimensions in millimetres.

RMH

FAN SIZE	A	B	C	D	E	F
335/400	725	90	240	865	500	753
450	890	70	250	990	650	878
500/560	1030	75	250	1140	760	1028

All dimensions in millimetres.

Details for Kerb Mounting



Electrical Connections

IMPORTANT

- THIS EQUIPMENT MUST BE EARTHED.
- MAINS SUPPLY MUST BE ISOLATED BEFORE MAKING CONNECTION.
- CONNECTION TO MAINS SUPPLY MUST BE IN ACCORDANCE WITH CURRENT I.E.E. WIRING REGULATIONS, BS 7671, LOCAL BUILDING AND FACTORY REGULATIONS, OR APPROPRIATE STANDARDS IN YOUR COUNTRY. THE EQUIPMENT SHOULD BE PROVIDED WITH AN ALL-POLE ISOLATOR SWITCH HAVING A CONTACT SEPARATION OF AT LEAST 3MM AND SUITABLY SIZED FUSES OR CIRCUIT BREAKERS. IT IS RECOMMENDED THAT WIRING TO THE UNIT BE MADE IN FLEXIBLE CONDUIT TO FACILITATE MAINTENANCE.
- ENSURE SAFETY REGULATIONS AND PRACTICES ARE ADHERED TO WHEN INSTALLING AND USING THIS EQUIPMENT.
- THE MOTOR THERMAL PROTECTOR (TK) MUST BE CONNECTED INTO THE CONTROL CIRCUIT.

WIRING INSTRUCTIONS:

WARNING: ISOLATE MAINS SUPPLY BEFORE MAKING CONNECTION. Ensure switch is in the 'OFF' position. Remove lid of isolator and connect unit in accordance with wiring diagrams. Ensure that the earth connection has been made. Ensure that any motor thermal protection switch is connected into the circuit. After making wiring connections, check that they are all correct and secure, replace lid ensuring that all screws, nuts and glands are adequately tightened to prevent the ingress of dirt and moisture. When wiring in conjunction with a speed controller, see instructions supplied with controller.

NOTES ON RUNNING

Before switching on CHECK:

- ★ Control unit and motor/fan are secure.
- ★ All relevant guards and covers are fitted.
- ★ Earth connections have been made and are secure.
- ★ Switch on mains

RBH

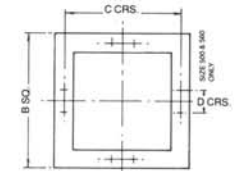
FAN SIZE	A	B	C	D	E
315/355	400	600	470	–	83
400/450	500	700	570	–	83
500/560	650	850	690	–	103
630/710	790	990	842	100	103

All dimensions in millimetres.

RMH

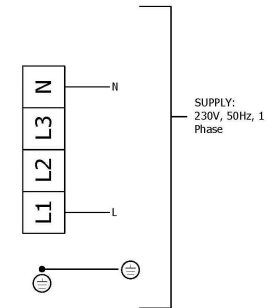
FAN SIZE	A	B	C	D	E
355/400	500	700	570	–	83
450	650	850	690	–	103
500/560	790	990	842	100	103

All dimensions in millimetres.

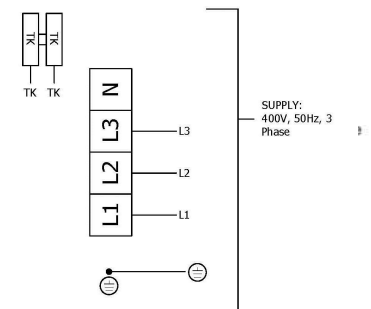


PLAN OF KERB

SINGLE PHASE



THREE PHASE



NOTE

A trial connection should be made to check that the direction of fan rotation is correct. If incorrect, interchange any two phases of the three phase supply.